

# WIRE TO PCB TYPE TERMINAL BLOCK — ETB54 SERIES



**MOUNT TYPE / BARRIER TYPE**

**PITCH=7.62mm**

## FEATURES

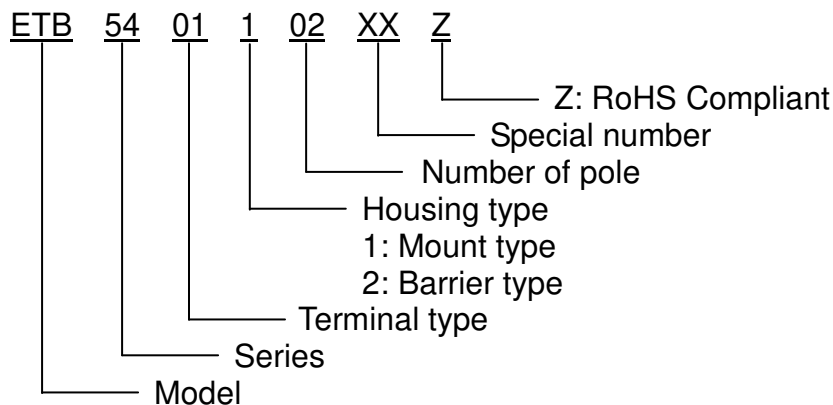
- Can be supplied in any number of positions
- Special wire protector design to ensure reliable wire clamping
- UL 94V-0 grade fire retardant engineering plastic used for the housing
- Be capable of clamping a wide range of wire diameters
- Wide choice of pitch & terminal

## SPECIFICATIONS

- Pitch 7.62mm (0.3 inch)
- Wire range 16~22 AWG
- Rating 10 Amp, 300 VAC
- Housing material Thermoplastic (UL 94V-0) Black
- Terminals Tin plated over Brass
- Screws Nickel plated over Steel
- Dielectric strength 2000 VAC (Min.)
- Insulation resistance 1000 MΩ, 500 VDC



## PART NUMBERING SYSTEM

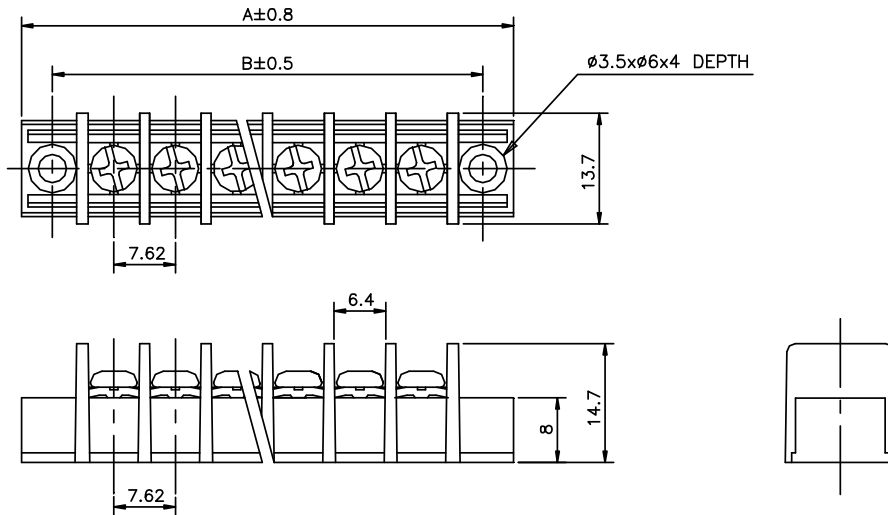


# WIRE TO PCB TYPE TERMINAL BLOCK — ETB54 SERIES

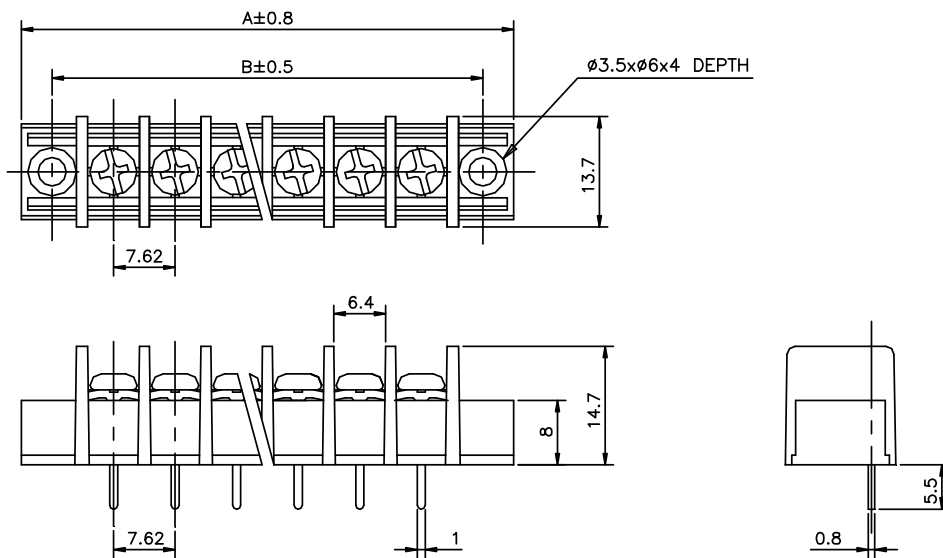


## ■ DRAWING (MOUNT TYPE)

ETB54001\*\*



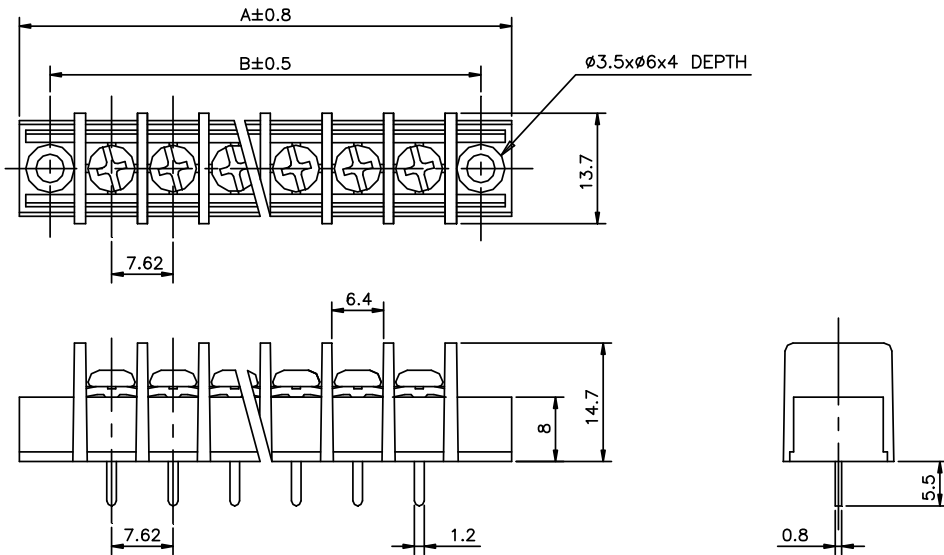
ETB54011\*\*



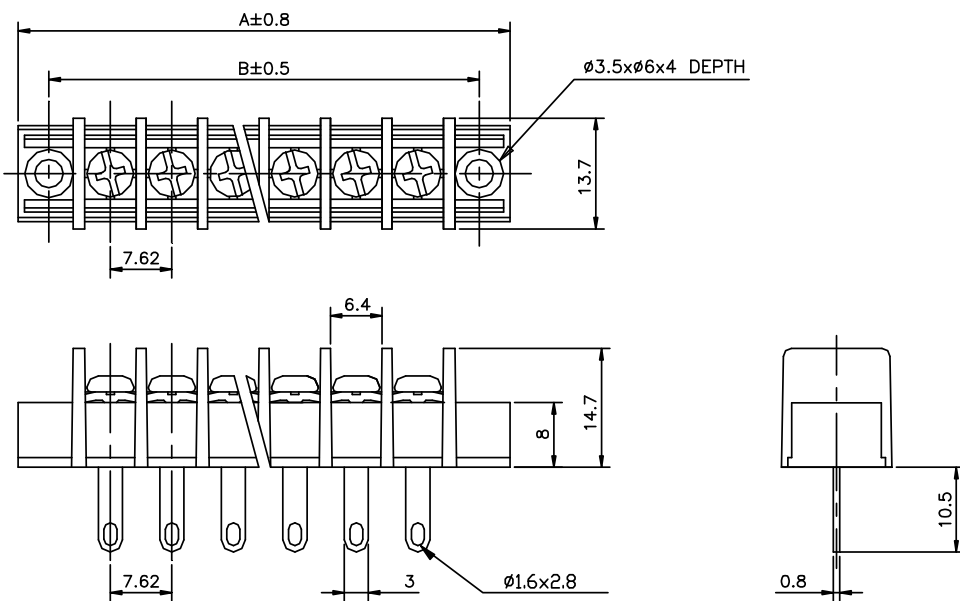
# WIRE TO PCB TYPE TERMINAL BLOCK - ETB54 SERIES



ETB54021\*\*



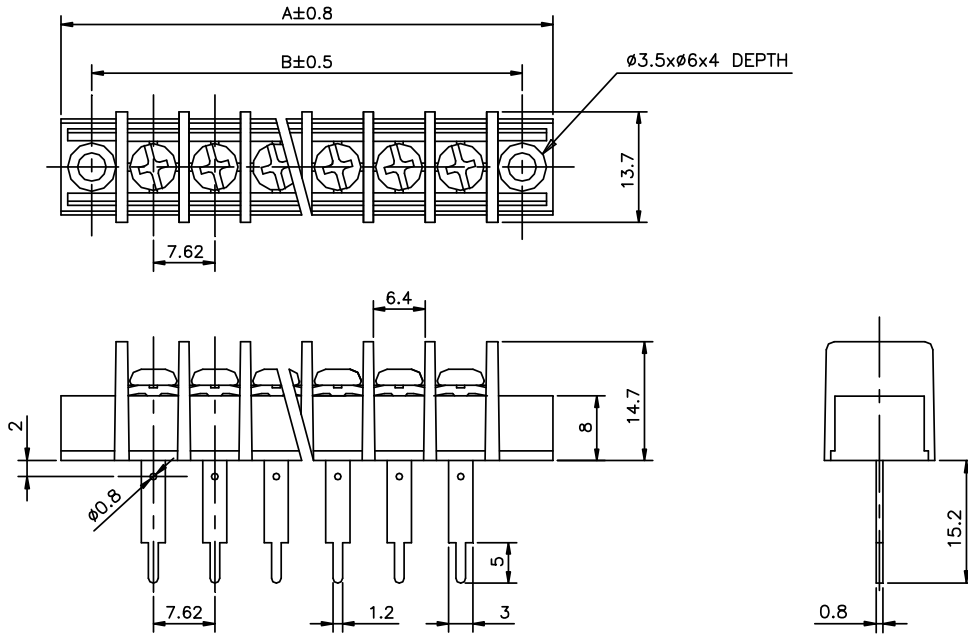
ETB54031\*\*



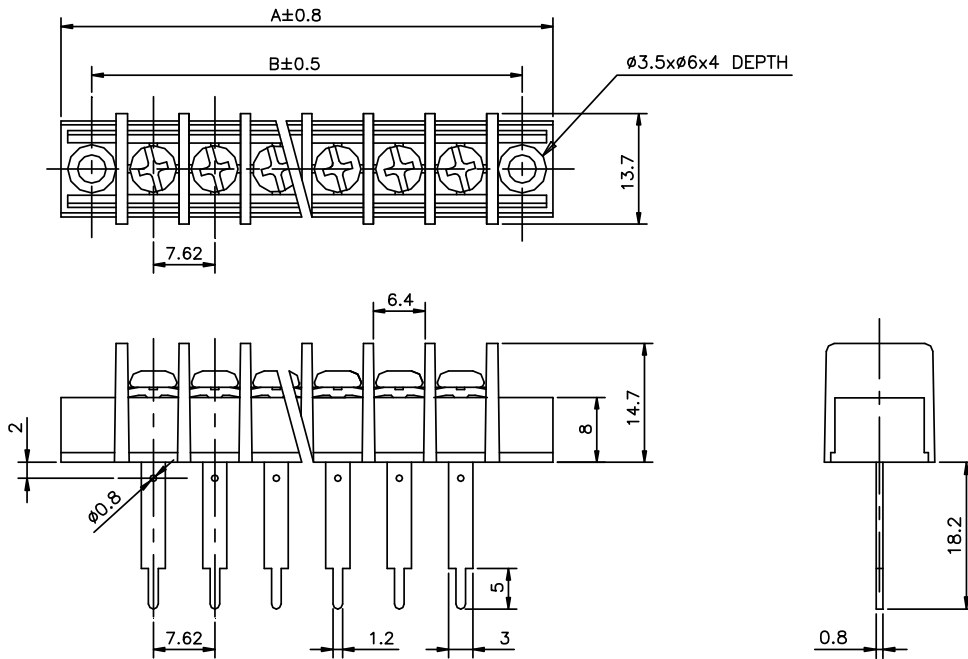
**WIRE TO PCB TYPE TERMINAL BLOCK  
— ETB54 SERIES**



ETB54041\*\*



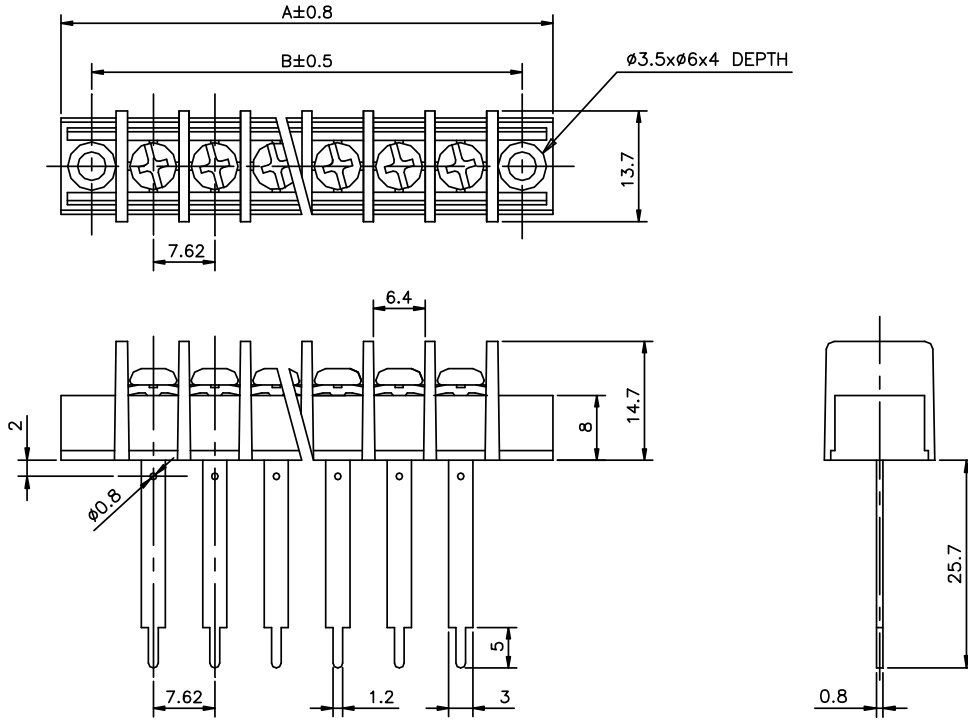
ETB54051\*\*



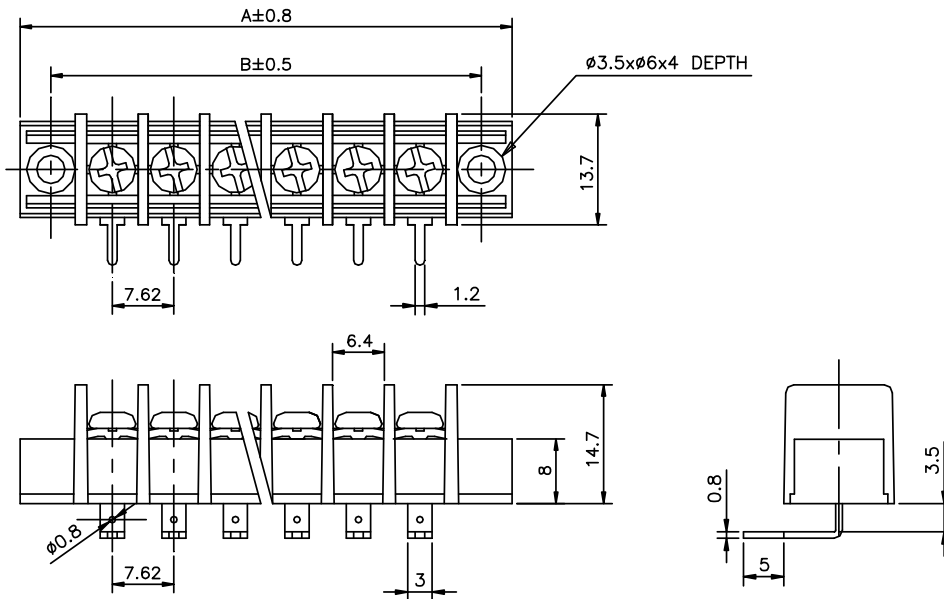
# WIRE TO PCB TYPE TERMINAL BLOCK – ETB54 SERIES



ETB54061\*\*



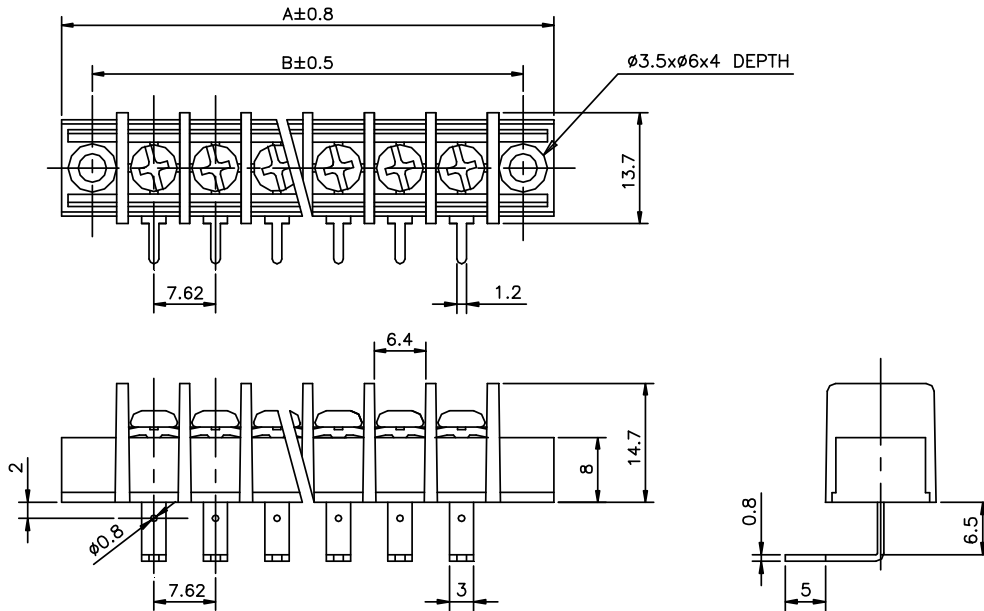
ETB54071\*\*



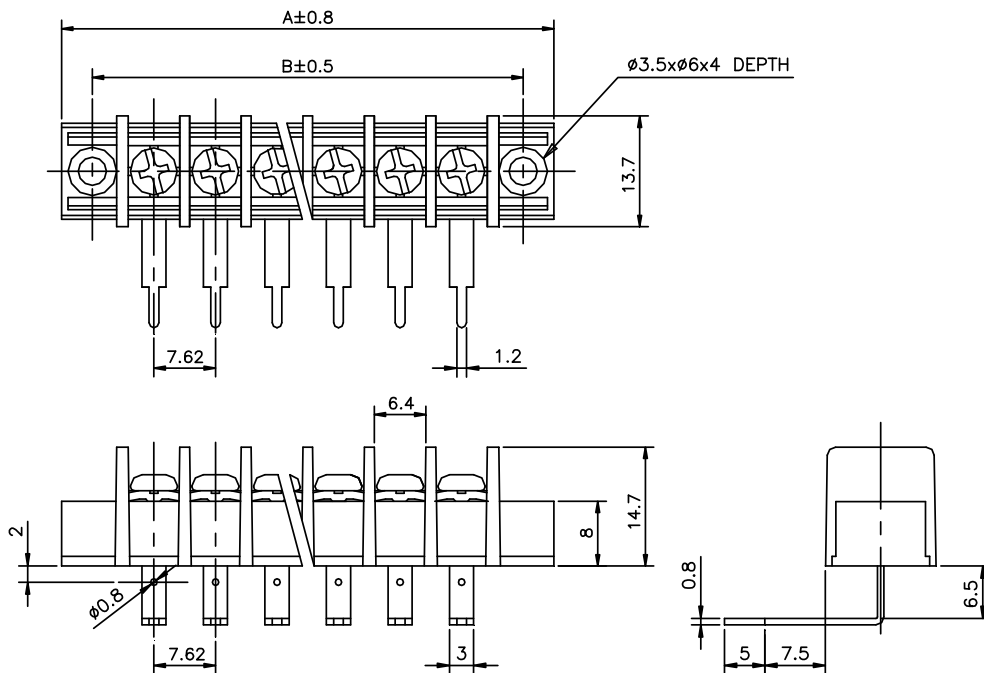
# WIRE TO PCB TYPE TERMINAL BLOCK — ETB54 SERIES



ETB54081\*\*



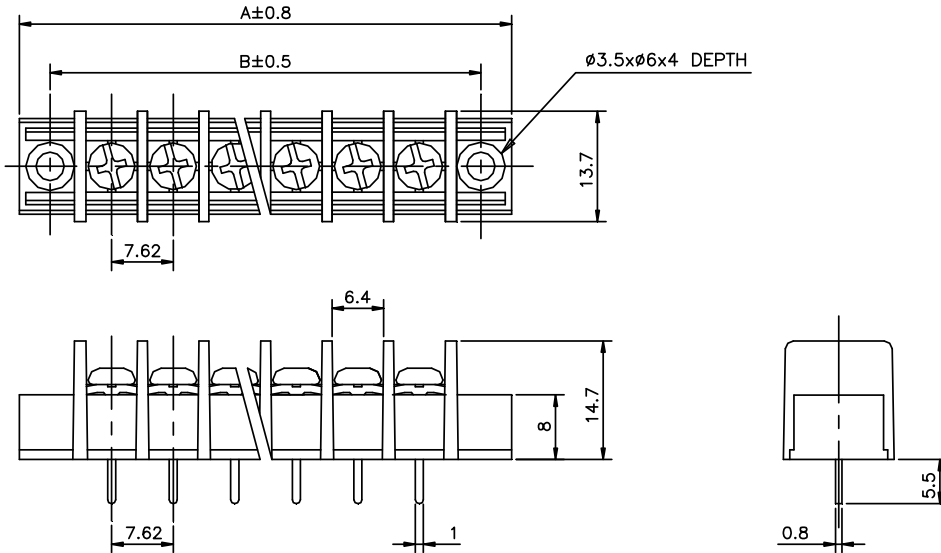
ETB54091\*\*



# WIRE TO PCB TYPE TERMINAL BLOCK – ETB54 SERIES



ETB54101\*\*



mm to inch

mm	0.8	1	1.2	1.6	2	2.8	3	3.5	4	5	5.5	6	6.4	6.5	7.5
inch	0.031	0.039	0.047	0.063	0.079	0.110	0.118	0.138	0.157	0.197	0.217	0.236	0.252	0.256	0.295
mm	7.62	8	10.5	13.7	14.7	15.2	18.2	25.7							
inch	0.300	0.315	0.413	0.539	0.579	0.598	0.717	1.012							

DIMENSIONS OF MOUNT TYPE

\*\*NUMBER OF POLE 02~30.

POLE DIM.	2	3	4	5	6	7	8	9	10	11	12
A $\pm 0.8$	30.5 (1.201)	38.1 (1.500)	45.7 (1.799)	53.3 (2.098)	61.0 (2.402)	68.6 (2.701)	76.2 (3.000)	83.8 (3.299)	91.4 (3.598)	99.1 (3.902)	106.7 (4.201)
B $\pm 0.5$	22.86 (0.900)	30.48 (1.200)	38.10 (1.500)	45.72 (1.800)	53.34 (2.100)	60.96 (2.400)	68.58 (2.700)	76.20 (3.000)	83.82 (3.300)	91.44 (3.600)	99.06 (3.900)
POLE DIM.	13	14	15	16	17	18	19	20	21	22	23
A $\pm 0.8$	114.3 (4.500)	121.9 (4.799)	129.5 (5.098)	137.2 (5.402)	144.8 (5.701)	152.4 (6.000)	160.0 (6.299)	167.6 (6.598)	175.3 (6.902)	182.9 (7.201)	190.5 (7.500)
B $\pm 0.5$	106.68 (4.200)	114.30 (4.500)	121.92 (4.800)	129.54 (5.100)	137.16 (5.400)	144.78 (5.700)	152.40 (6.000)	160.02 (6.300)	167.64 (6.600)	175.26 (6.900)	182.88 (7.200)
POLE DIM.	24	25	26	27	28	29	30				
A $\pm 0.8$	198.1 (7.799)	205.7 (8.098)	213.4 (8.402)	221.0 (8.701)	228.6 (9.000)	236.2 (9.299)	243.8 (9.598)				
B $\pm 0.5$	190.50 (7.500)	198.12 (7.800)	205.74 (8.100)	213.36 (8.400)	220.98 (8.700)	228.60 (9.000)	236.22 (9.300)				

# WIRE TO PCB TYPE TERMINAL BLOCK – ETB54 SERIES



## DIMENSIONS OF BARRIER TYPE

\*\*NUMBER OF POLE 02~32.

POLE DIM.	2	3	4	5	6	7	8	9	10	11	12
A±0.8	16.8 (0.661)	24.5 (0.965)	32.1 (1.264)	39.7 (1.563)	47.3 (1.862)	54.9 (2.161)	62.6 (2.465)	70.2 (2.764)	77.8 (3.063)	85.4 (3.362)	93.0 (3.661)
B±0.5	7.62 (0.300)	15.24 (0.600)	22.86 (0.900)	30.48 (1.200)	38.10 (1.500)	45.72 (1.800)	53.34 (2.100)	60.96 (2.400)	68.58 (2.700)	76.20 (3.000)	83.82 (3.300)
POLE DIM.	13	14	15	16	17	18	19	20	21	22	23
A±0.8	100.7 (3.965)	108.3 (4.264)	115.9 (4.563)	123.5 (4.862)	131.1 (5.161)	138.8 (5.465)	146.4 (5.764)	154.0 (6.063)	161.6 (6.362)	169.2 (6.661)	176.9 (6.965)
B±0.5	91.44 (3.600)	99.06 (3.900)	106.68 (4.200)	114.30 (4.500)	121.92 (4.800)	129.54 (5.100)	137.16 (5.400)	144.78 (5.700)	152.40 (6.000)	160.02 (6.300)	167.64 (6.600)
POLE DIM.	24	25	26	27	28	29	30	31	32		
A±0.8	184.5 (7.264)	192.1 (7.563)	199.7 (7.862)	207.3 (8.161)	215.0 (8.465)	222.6 (8.764)	230.2 (9.063)	237.8 (9.362)	245.4 (9.661)		
B±0.5	175.26 (6.900)	182.88 (7.200)	190.50 (7.500)	198.12 (7.800)	205.74 (8.100)	213.36 (8.400)	220.98 (8.700)	228.60 (9.000)	236.22 (9.300)		