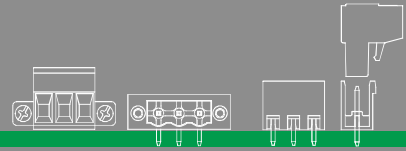


PLUG IN TYPE TERMINAL BLOCK – ETB85 SERIES

**CLAMPING TYPE****PITCH=3.5mm**

■ FEATURES

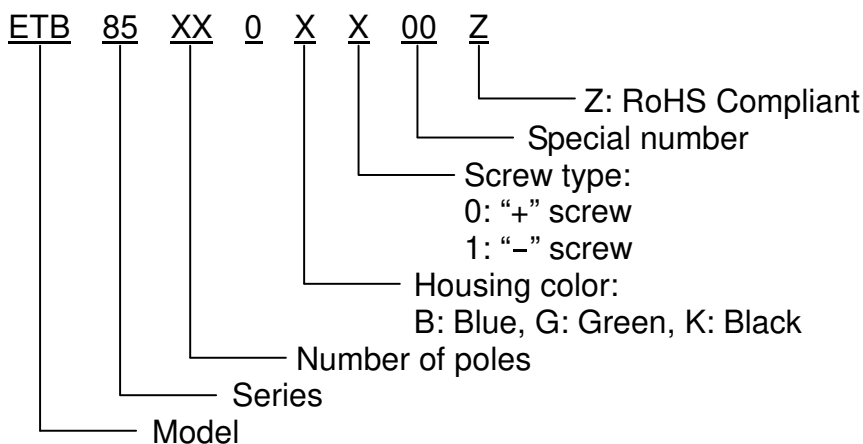
- Special wire protector design to ensure reliable wire clamping
- Be capable of clamping a wide range of wire diameters
- The Male connector of plug using a twin leaf phosphor bronze contact mates with the Female socket
- The Female socket is mounted and soldered to the P.C.B.
- Good for insertion & withdrawal
- UL 94V-0 grade fire retardant engineering plastic used for the housing

■ SPECIFICATIONS

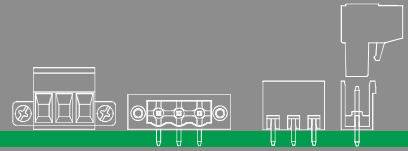
- Pitch 3.5 mm
- Wire range 28~16 AWG (1.5mm²)
- No. of pole per block 2P to 16P
- Rating 6 Amp, 300 VAC
- Housing PA66
- Wire cage Nickel plated over Zinc Alloy
- Contacts Tin plated over Phosphor bronze
- Screws M2.0x0.4P, Zinc plated over Steel
- Torque 0.25 N-m (2.18 lb-in) (Tested by manual torque screwdriver)
- Operating temperature -30°C~+110°C (Includes temperature rise limit)
- Stripping length 6mm
- Contact resistance 30mΩ Max.
- UL Approval 300V, 6A, 28~16 AWG
- TUV Approval 130V, -30°C~+110°C, 8A Max., 0.2 to 1.0mm²
- Plug in with ETB87



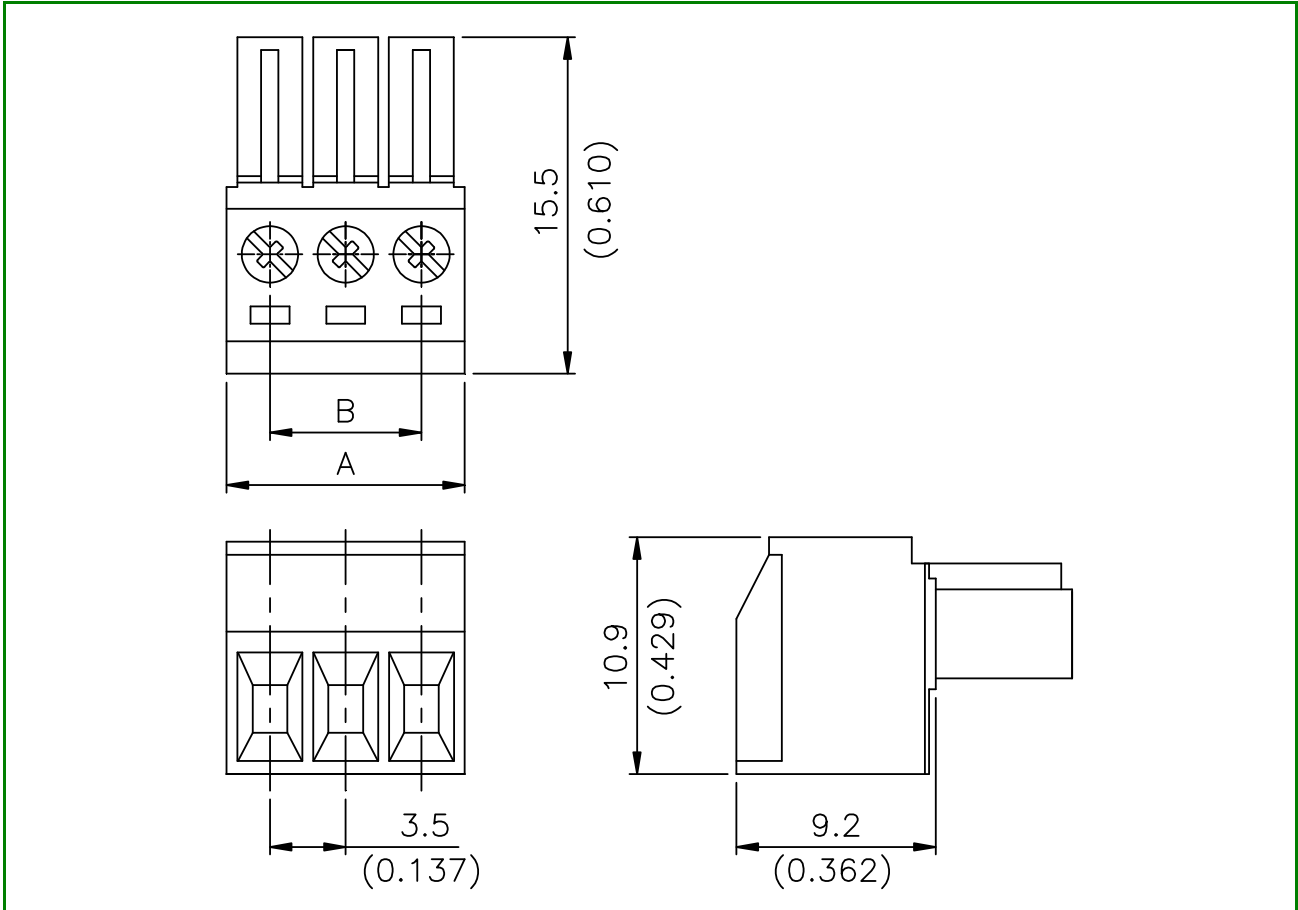
■ PART NUMBERING SYSTEM



PLUG IN TYPE TERMINAL BLOCK — ETB85 SERIES



■ DRAWING



POLE DIM.	2	3	4	5	6	7	8	9	10	11	12	13	14	15	16
A	7.5 (0.295)	11.0 (0.433)	14.5 (0.571)	18.0 (0.709)	21.5 (0.847)	25.0 (0.984)	28.5 (1.122)	32.0 (1.260)	35.5 (1.398)	39.0 (1.535)	42.5 (1.673)	46.0 (1.811)	49.5 (1.949)	53.0 (2.087)	56.5 (2.224)
B	3.5 (0.138)	7.0 (0.276)	10.5 (0.413)	14.0 (0.551)	17.5 (0.689)	21.0 (0.827)	24.5 (0.965)	28.0 (1.102)	31.5 (1.240)	35.0 (1.378)	38.5 (1.516)	42.0 (1.654)	45.5 (1.792)	49.0 (1.929)	52.5 (2.067)