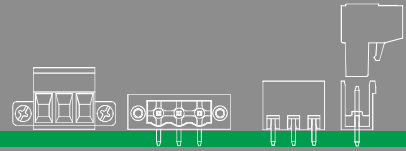


PLUG IN TYPE TERMINAL BLOCK – ETB81 SERIES



CLAMPING TYPE

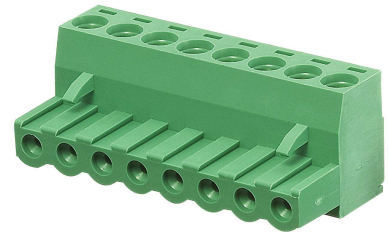
PITCH=5.0mm

■ FEATURES

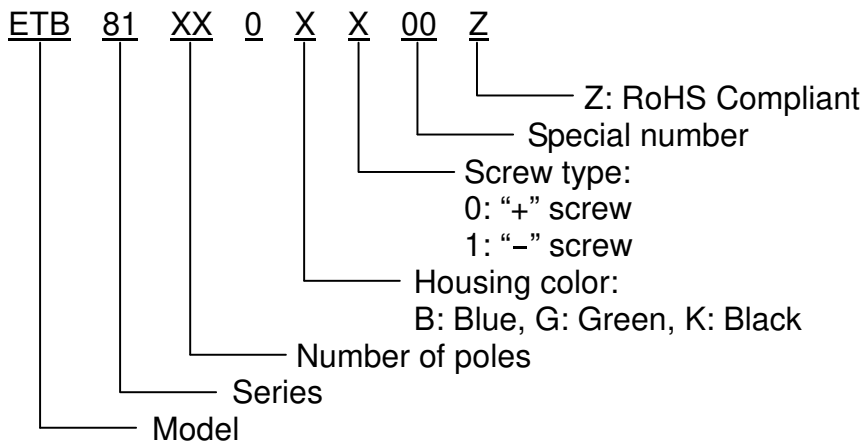
- Special wire protector design to ensure reliable wire clamping
- Be capable of clamping a wide range of wire diameters
- The Male connector of plug using a twin leaf phosphor bronze contact mates with the Female socket
- The Female socket is mounted and soldered to the P.C.B.
- Good for insertion & withdrawal
- UL 94V-0 grade fire retardant engineering plastic used for the housing

■ SPECIFICATIONS

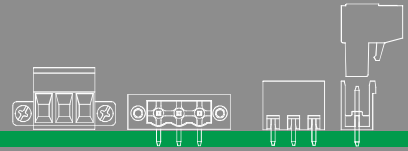
- Pitch 5.0 mm
- Wire range 24~12 AWG (4.0mm²)
- No. of pole per block 2P to 16P
- Rating 10 Amp, 300 VAC
- Housing PA66
- Wire cage Nickel plated over Zinc Alloy
- Contacts Tin plated over Phosphor bronze
- Screws M3.0x0.5P, Zinc plated over Steel
- Torque 0.58 N-m (5.2 lb-in) (Tested by manual torque screwdriver)
- Operating temperature -30°C~+110°C (Includes temperature rise limit)
- Stripping length 7mm
- Contact resistance 30mΩ Max.
- UL Approval 300V, 10A, 24~12 AWG
- TUV Approval 250V, -30°C~+110°C, 15A Max., 0.2 to 2.5mm²
- Plug in with ETB83



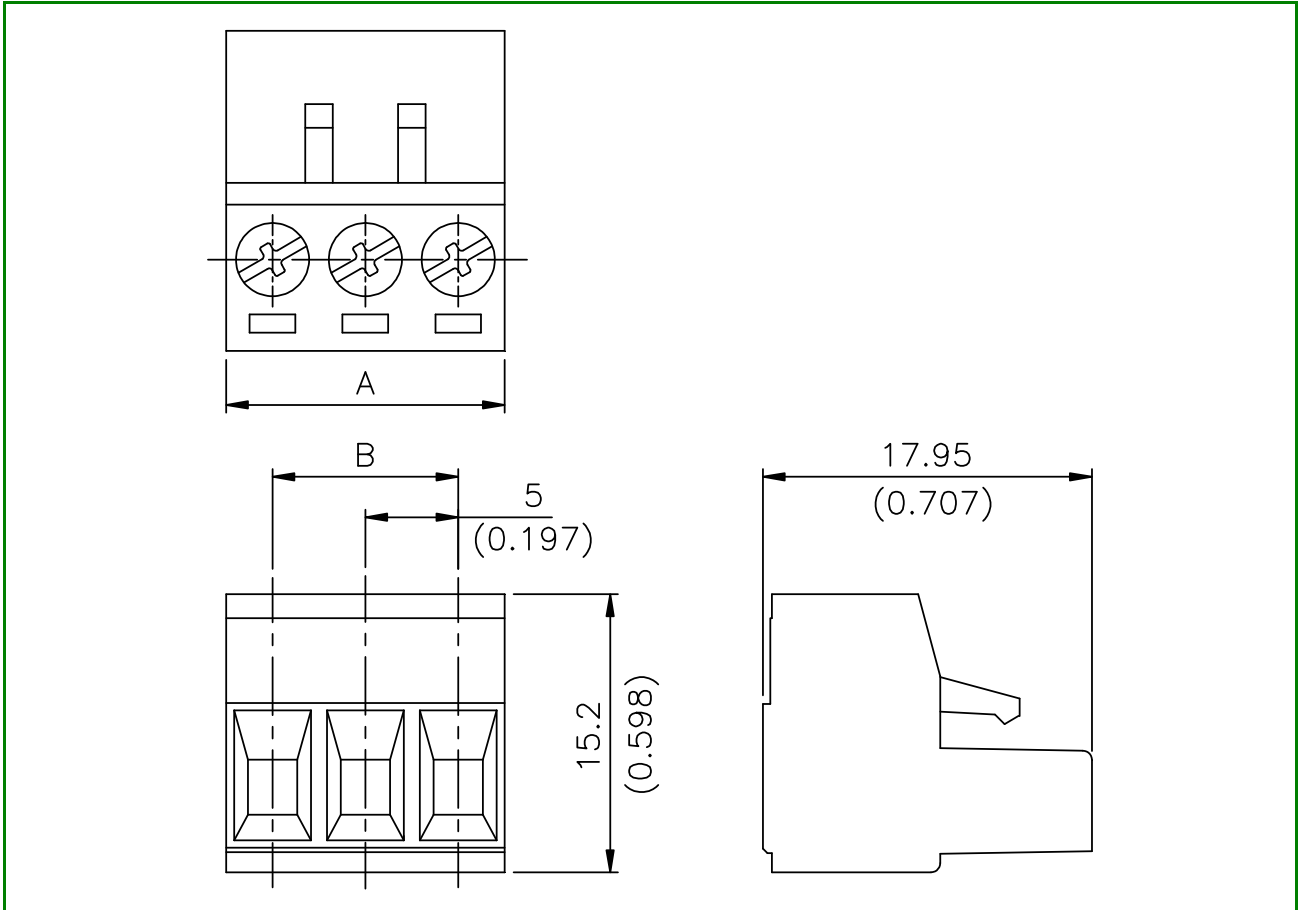
■ PART NUMBERING SYSTEM



PLUG IN TYPE TERMINAL BLOCK — ETB81 SERIES



■ DRAWING



POLE DIM.	2	3	4	5	6	7	8	9	10	11	12	13	14	15	16
A	10 (0.394)	15 (0.591)	20 (0.787)	25 (0.984)	30 (1.181)	35 (1.378)	40 (1.575)	45 (1.772)	50 (1.969)	55 (2.165)	60 (2.362)	65 (2.559)	70 (2.756)	75 (2.953)	80 (3.150)
B	5 (0.197)	10 (0.394)	15 (0.591)	20 (0.787)	25 (0.984)	30 (1.181)	35 (1.378)	40 (1.575)	45 (1.772)	50 (1.969)	55 (2.165)	60 (2.362)	65 (2.559)	70 (2.756)	75 (2.953)