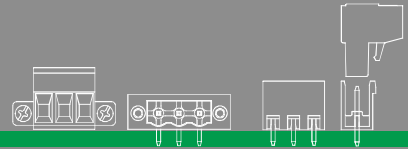


PLUG IN TYPE TERMINAL BLOCK — ETB4A SERIES



SOCKET TYPE

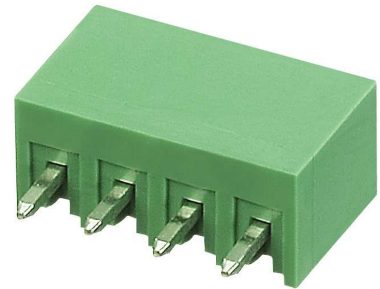
PITCH=3.81mm

FEATURES

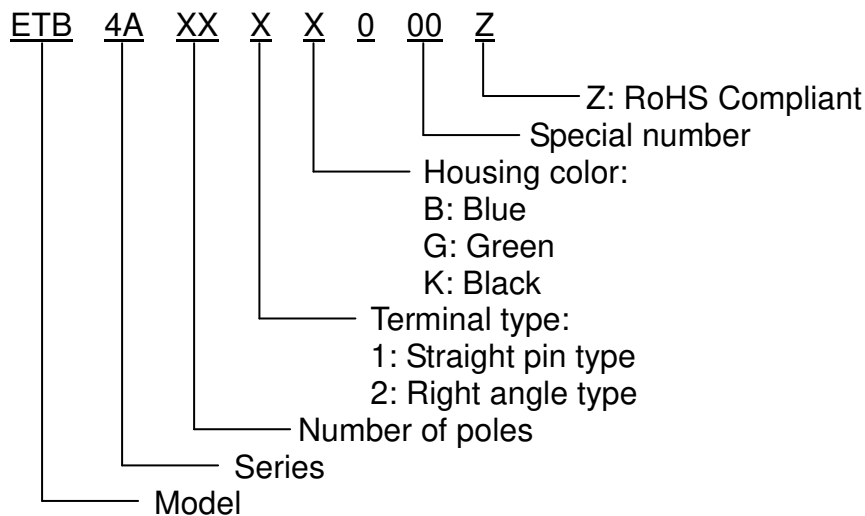
- Special wire protector design to ensure reliable wire clamping
- Be capable of clamping a wide range of wire diameters
- The Male connector of plug using a twin leaf phosphor bronze contact mates with the Female socket
- The Female socket is mounted and soldered to the P.C.B.
- Good for insertion & withdrawal
- UL 94V-0 grade fire retardant engineering plastic used for the housing

SPECIFICATIONS

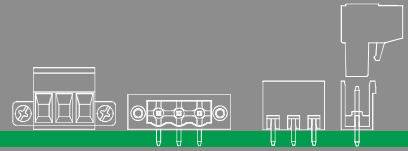
- Pitch 3.81mm
- No. of pole per block 2P to 16P
- Rating 8 Amp, 300 VAC
- Housing PA66
- Terminals Tin plated over **Copper Alloy**
- Operating temperature -30°C ~ +110°C
(Includes temperature rise limit)
- UL Approval 300V, 8A



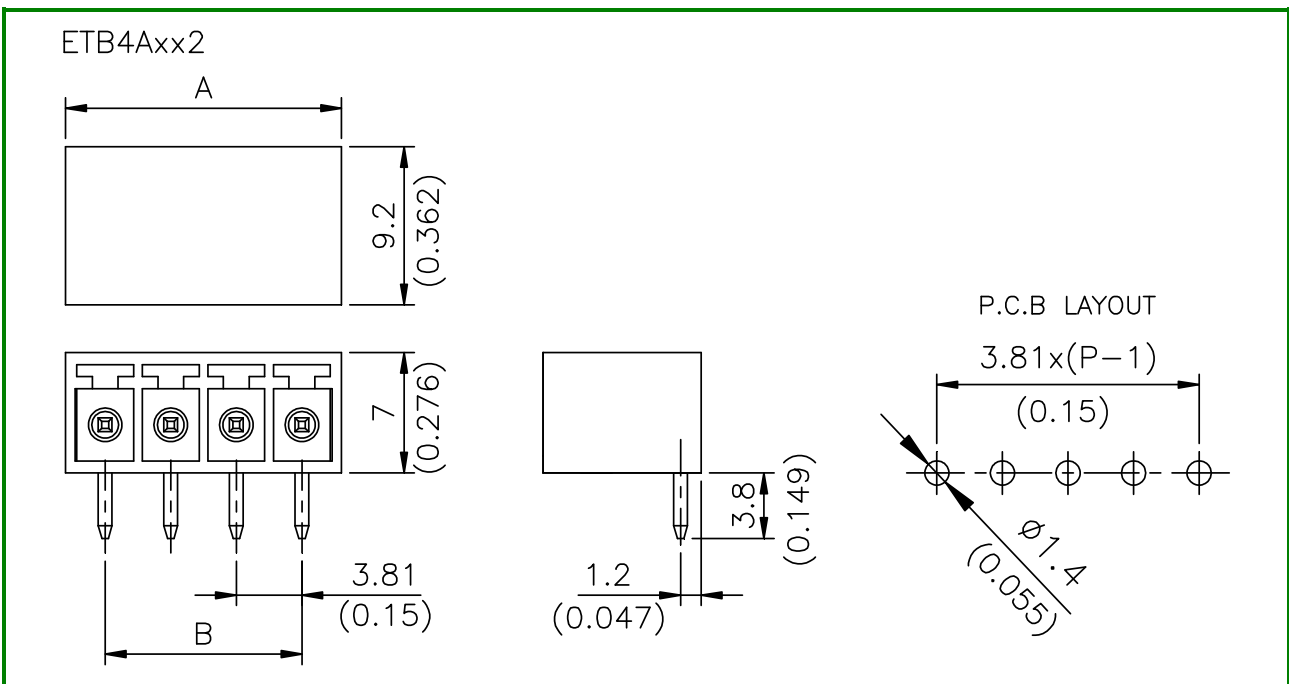
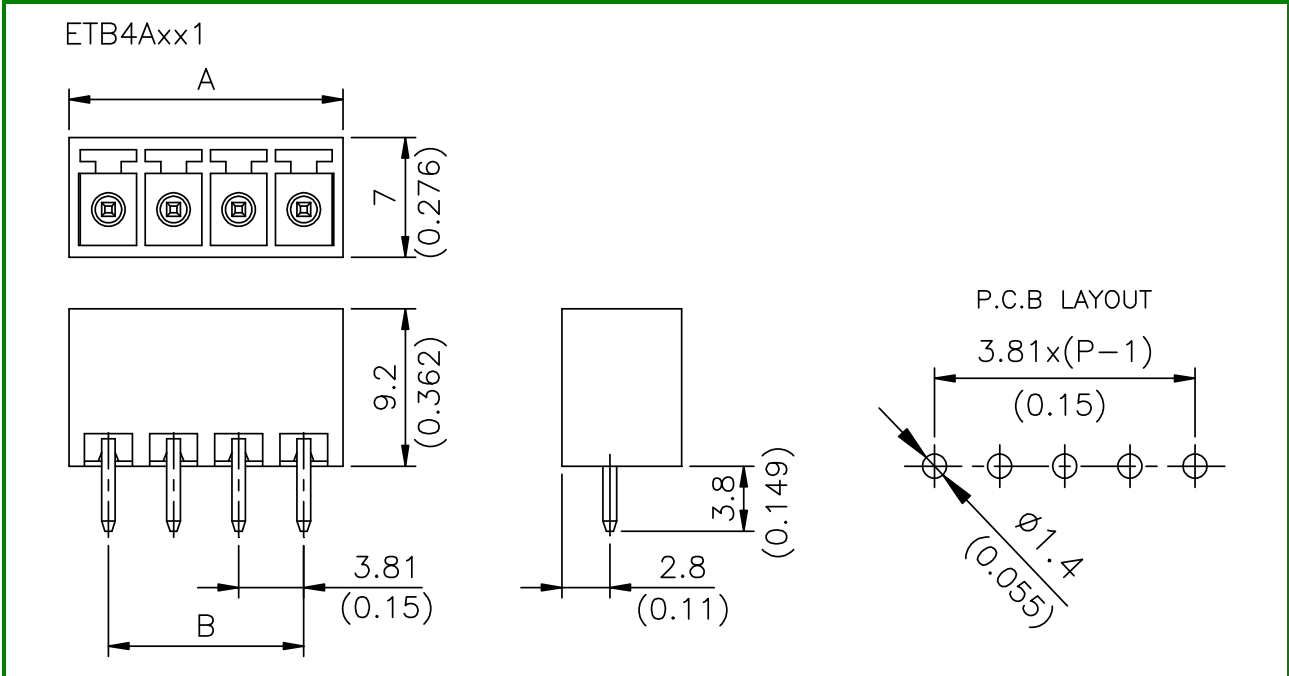
PART NUMBERING SYSTEM



PLUG IN TYPE TERMINAL BLOCK — ETB4A SERIES



DRAWING



POLE DIM.	2	3	4	5	6	7	8	9	10	11	12	13	14	15	16
A	8.41 (0.331)	12.22 (0.481)	16.03 (0.631)	19.84 (0.781)	23.65 (0.931)	27.46 (1.081)	31.27 (1.231)	35.08 (1.381)	38.89 (1.531)	42.70 (1.681)	46.51 (1.831)	50.32 (1.981)	54.13 (2.131)	57.94 (2.281)	61.75 (2.431)
B	3.81 (0.150)	7.62 (0.300)	11.43 (0.450)	15.24 (0.600)	19.05 (0.750)	22.86 (0.900)	26.67 (1.050)	30.48 (1.200)	34.29 (1.350)	38.10 (1.500)	41.91 (1.650)	45.72 (1.800)	49.53 (1.950)	53.34 (2.100)	57.15 (2.250)