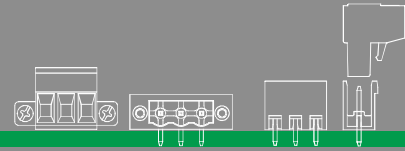


PLUG IN TYPE TERMINAL BLOCK — ETB45 SERIES



CLAMPING TYPE

PITCH=3.81mm

FEATURES

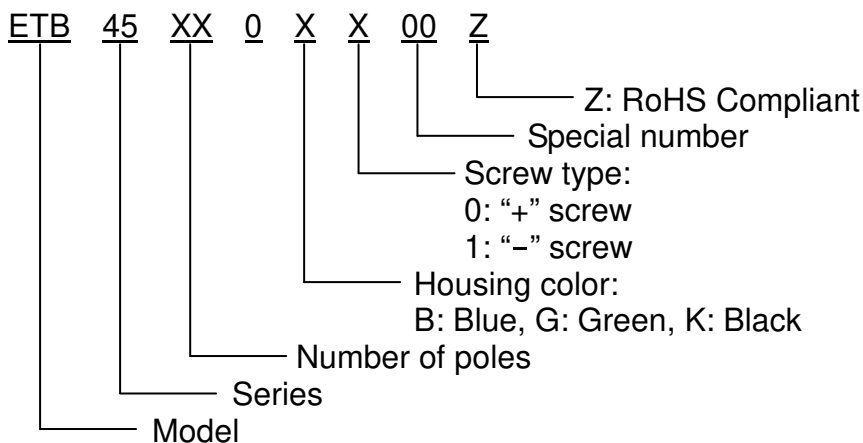
- Special wire protector design to ensure reliable wire clamping
- Be capable of clamping a wide range of wire diameters
- The Male connector of plug using a twin leaf phosphor bronze contact mates with the Female socket
- The Female socket is mounted and soldered to the P.C.B.
- Good for insertion & withdrawal
- UL 94V-0 grade fire retardant engineering plastic used for the housing

SPECIFICATIONS

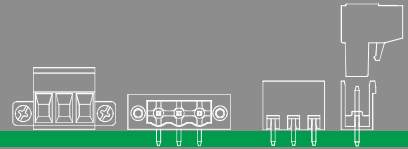
- Pitch 3.81mm
- Wire range 28~16 AWG
- No. of pole per block 2P to 16P
- Rating 7 Amp, 300 VAC
- Housing PA66
- Wire cage Nickel plated over Zinc Alloy
- Contacts Tin plated over Phosphor bronze
- Screws M2.0x0.4P, Zinc plated over Steel
- Torque 0.2 N-m (1.7 lb-in) (Tested by manual torque screwdriver)
- Operating temperature -30°C ~ +105°C (Includes temperature rise limit)
- Stripping length 6mm
- Contact resistance 30 mΩ Max.
- UL Approval 300V, 7A, 28~16 AWG
- TUV Approval 130V, -30°C ~ 110°C, 8A Max., 0.2 to 1.0mm²
- Plug in with ETB47



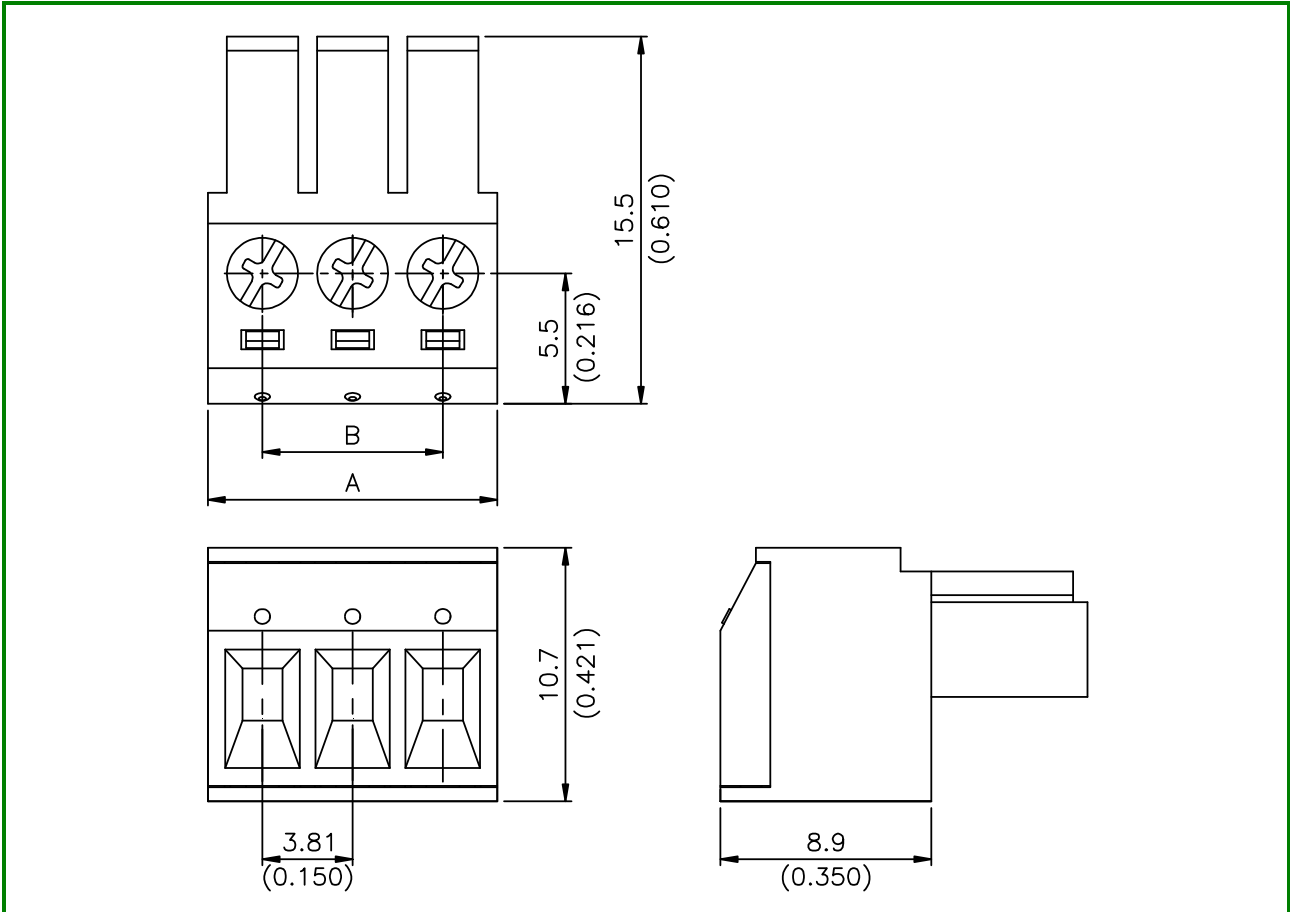
PART NUMBERING SYSTEM



PLUG IN TYPE TERMINAL BLOCK — ETB45 SERIES



■ DRAWING



POLE DIM.	2	3	4	5	6	7	8	9	10	11	12	13	14	15	16
A	8.38 (0.330)	12.19 (0.480)	16.00 (0.630)	19.81 (0.780)	23.62 (0.930)	27.43 (1.080)	31.24 (1.230)	35.05 (1.380)	38.86 (1.530)	42.67 (1.680)	46.48 (1.830)	50.29 (1.980)	54.10 (2.130)	57.91 (2.280)	61.72 (2.430)
B	3.81 (0.150)	7.62 (0.300)	11.43 (0.450)	15.24 (0.600)	19.05 (0.750)	22.86 (0.900)	26.67 (1.050)	30.48 (1.200)	34.29 (1.350)	38.10 (1.500)	41.91 (1.650)	45.72 (1.800)	49.53 (1.950)	53.34 (2.100)	57.15 (2.250)