

SPECIFICATIONS

CONTACT RATING: Dependent upon contact material. See [Contact Plating & Ratings](#).

MECHANICAL LIFE: 30,000 make-and-break cycles.

CONTACT RESISTANCE: 10mΩ max. initial @ 2-4VDC
100mA for both silver and gold plated contacts.

INSULATION RESISTANCE: 1,000 MΩ min.

DIELECTRIC STRENGTH: 1,000 Vrms min. @ sea level.

OPERATING TEMPERATURE: -40°C to 85°C.

DEGREE OF PROTECTION: IP67

MATERIALS

CASE & BUSHING: Glass filled nylon 6/6, flame retardant, heat stabilized (UL94V-0).

ACTUATOR: Nylon, black std. Internal O-ring seal standard with all actuators.

SWITCH SUPPORT: Brass or steel, tin plated.

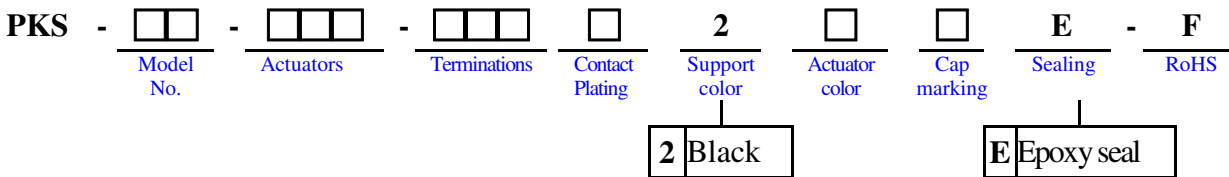
ACTUATOR PIVOT & MOUNTING BRACKET: Nylon.

ACTUATOR PIVOT RETAINER: Stainless steel.

CONTACT / TERMINALS: Silver or gold plated copper alloy. See [Contact Plating & Ratings](#).

models available, consult sales representatives.

PART NUMBERING SYSTEM



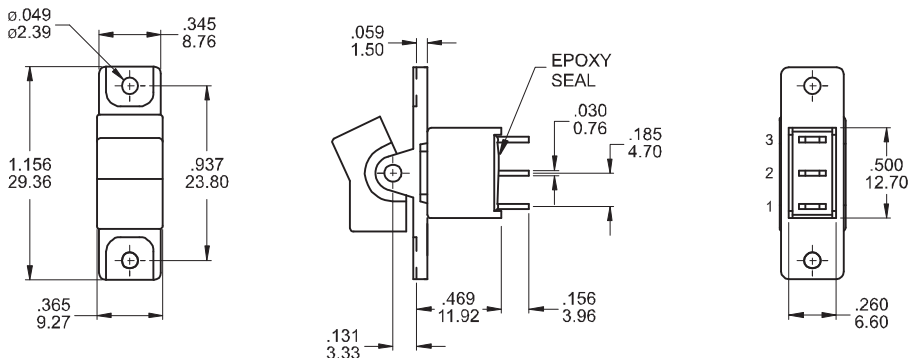
Model No./ Switching function () = Momentary

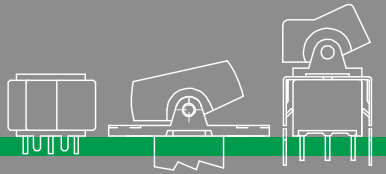
Unit: Inch/ mm

SPDT				SPDT			
Model No.	Switching function			Model No.	Switching function		
S1	On	None	On	S3	On	Off	On
S2	On	None	(On)	S4	(On)	Off	(On)
				S5	On	Off	(On)
Connected terminals	2-3	N/A	2-1	Connected terminals	2-3	Open	2-1
Schematic	2 Comm. 		2 Comm. 	Schematic	2 Comm. 		2 Comm.

Part No. Shown: PKS-S -R1-M1 22E-F

SPDT



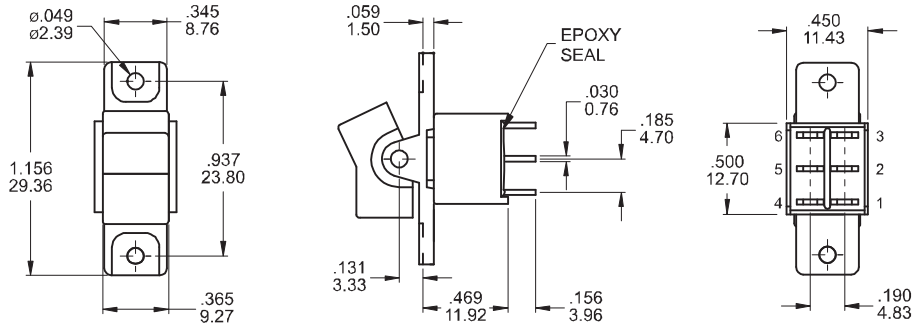


Model No./ Switching function ()= Momentary **Unit: Inch/ mm**

DPDT			DPDT			DPDT					
Model No.	Switching function		Model No.	Switching function		Model No.	Switching function				
D1	On	None	On	D3	On	Off	On	D6	On	On	On
D2	On	None	(On)	D4	(On)	Off	(On)	D7	(On)	On	(On)
				D5	On	Off	(On)	D8	On	On	(On)
Connected terminals	2-3,5-6	N/A	2-1,5-4	Connected terminals	2-3,5-6	Open	2-1,5-4	Connected terminals	2-3,5-6	2-3,5-4	2-1,5-4
Schematic				Schematic				Schematic for D6			

Part No. Shown: PKS-D□-R1-M1□22E-F

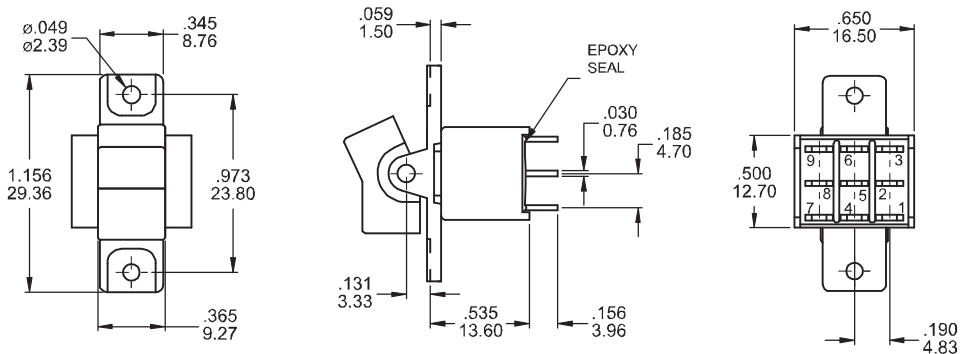
DPDT

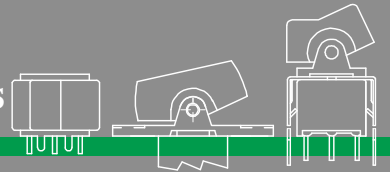


3PDT			3PDT				
Model No.	Switching function		Model No.	Switching function			
E1	On	None	On	E3	On	Off	On
E2	On	None	(On)	E4	(On)	Off	(On)
				E5	On	Off	(On)
Connected terminals	2-3,5-6,8-9	N/A	2-1,5-4,8-7	Connected terminals	2-3,5-6,8-9	Open	2-1,5-4,8-7
Schematic				Schematic			

Part No. Shown: PKS-E□-R1-M1□22E-F

3PDT





Actuators

FOR PANEL MOUNT ONLY

Unit: Inch/ mm

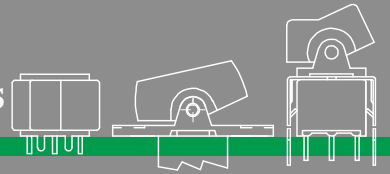
R1	R2
R10	R11
R12	R13
R16	

Actuators

FOR P.C. MOUNT ONLY

Unit: Inch/ mm

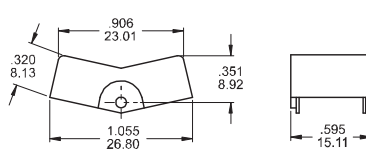
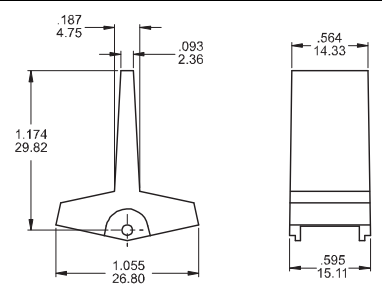
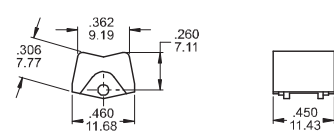
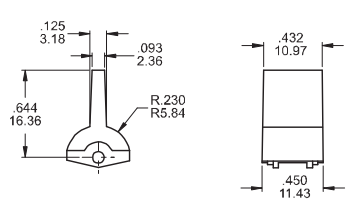
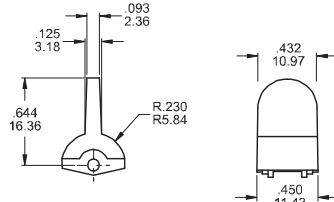
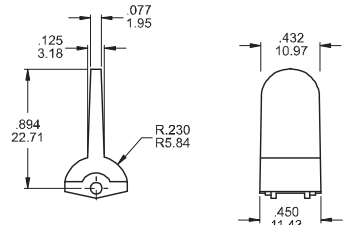
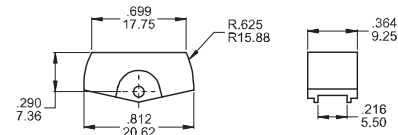
J1	J2



Actuators

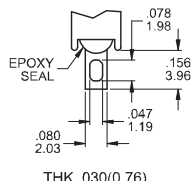
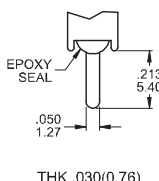
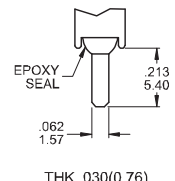
FOR P.C. MOUNT ONLY

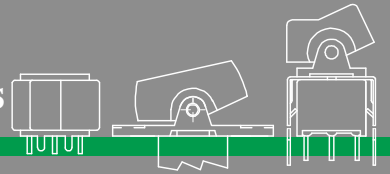
Unit: Inch/ mm

J3	J4
	
J5	J6
	
J7	J8
	
J10	
	

Terminations & Sealing

Unit: Inch/ mm

M1□-2□E Solder, With epoxy seal	M2□-2□E PCB through hole, with epoxy seal	M3□-2□E Quick connect, with epoxy seal
		



Terminations & Sealing

Unit: Inch/ mm

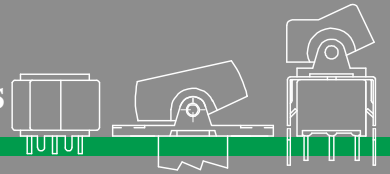
M5□ Wire wrap		
	Option code	Dim. 'A'
	M51	.736(18.70)
	M52	.953(24.20)
	M53	.415(10.55)
	M54	1.062(26.97)

Terminations & Sealing

Unit: Inch/ mm

M6 Right angle P.C. Mount		P. C. B. Layout
<p>Part No. Shown: PKS-S□-J1-M6□□2E-F</p> <p>SPDT</p> <p>Options:</p> <p>M6N Snap-in <u>SECTION A-A</u></p>		
<p>SECTION A-A TERM.NOS.FOR REFERENCE ONLY</p>		

M6 Right angle P.C. Mount		P. C. B. Layout
<p>Part No. Shown: PKS-D□-J1-M6□□2E-F</p> <p>DPDT</p> <p>Options:</p> <p>M6N Snap-in <u>SECTION A-A</u></p>		
<p>SECTION A-A TERM.NOS.FOR REFERENCE ONLY</p>		



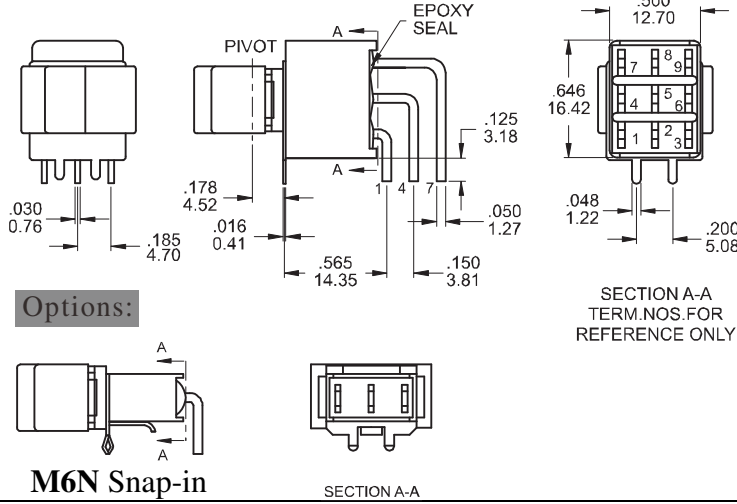
Terminations & Sealing

Unit: Inch/ mm

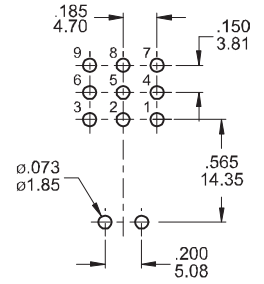
M6 Right angle P.C. Mount

Part No. Shown: PKS-E□-J1-M6□□2E-F

3PDT



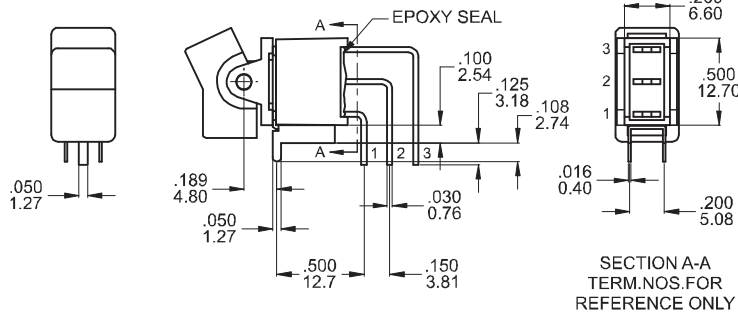
P. C. B. Layout



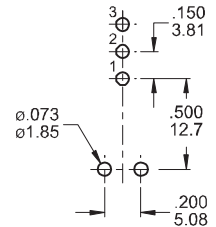
M7 Vertical right angle P.C. Mount

Part No. Shown: PKS-S□-J1-M7□□2E-F

SPDT

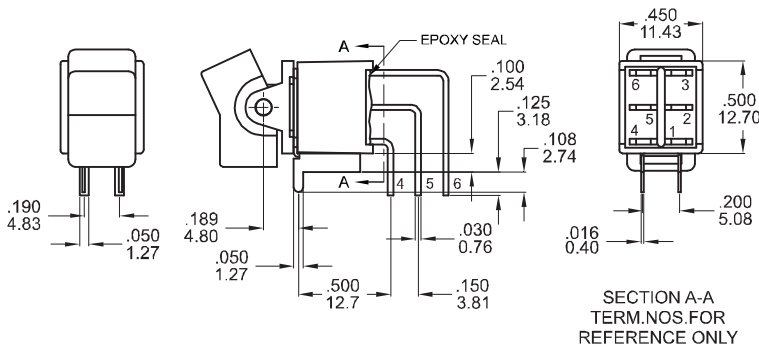


P. C. B. Layout

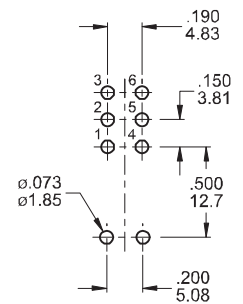


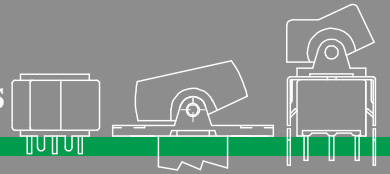
Part No. Shown: PKS-D□-J1-M7□□2E-F

DPDT



P. C. B. Layout





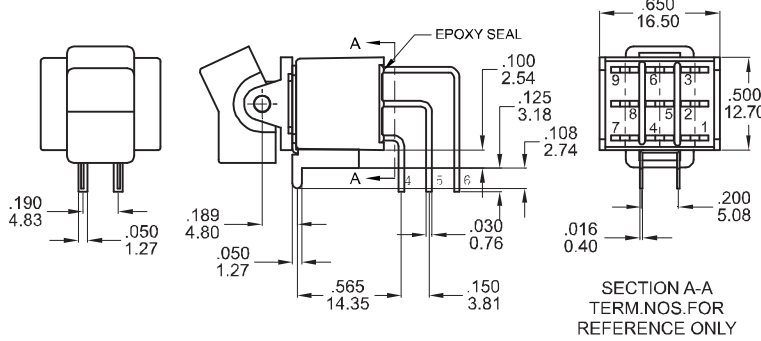
Terminations & Sealing

Unit: Inch/ mm

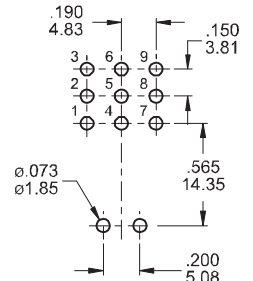
M7 Vertical right angle P.C. Mount

Part No. Shown: PKS-E□-J1-M7□2E-F

3PDT



P. C. B. Layout

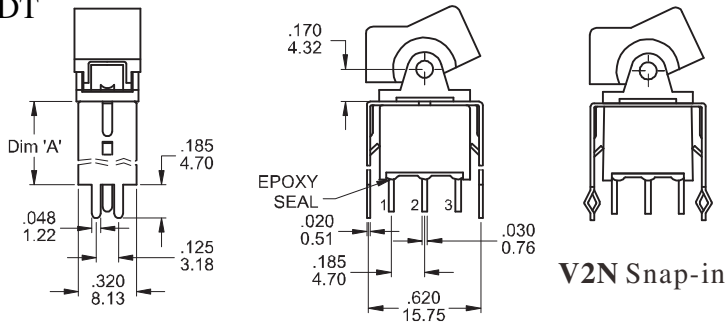


V□□ Vertical bracket P.C. Mount

Part No. Shown: PKS-S□-J1-V□□□2E-F

SPDT

Options:



Option Code

Dim. 'A'

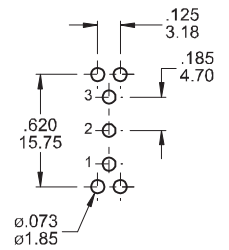
V2□

.460
11.68

V3

.630
16.00

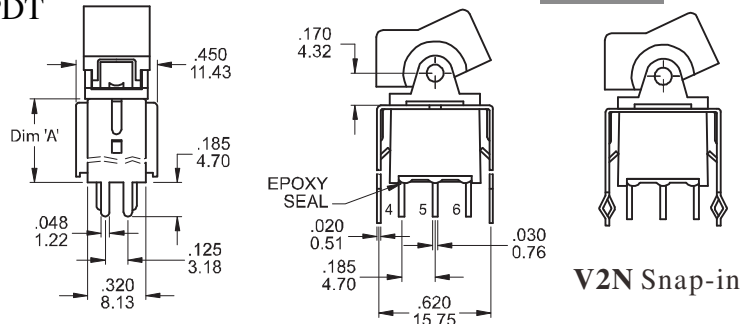
P. C. B. Layout



Part No. Shown: PKS-D□-J1-V□□□2E-F

DPDT

Options:



Option Code

Dim. 'A'

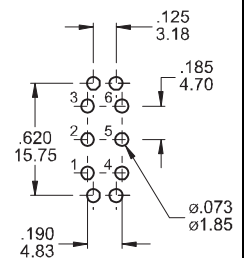
V2□

.460
11.68

V3

.630
16.00

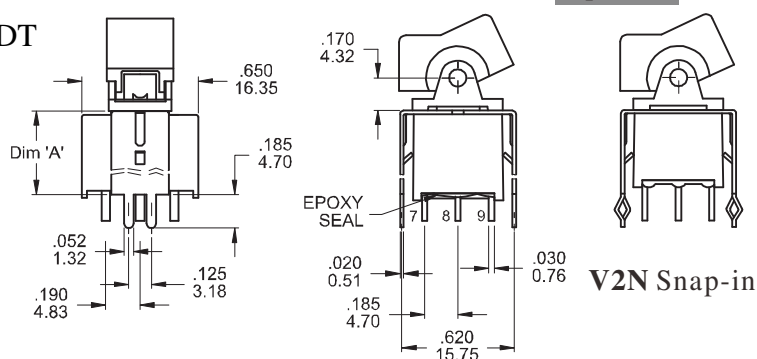
P. C. B. Layout



Part No. Shown: PKS-E□-J1-V□□□2E-F

3PDT

Options:



Option Code

Dim. 'A'

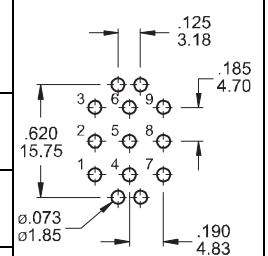
V2□

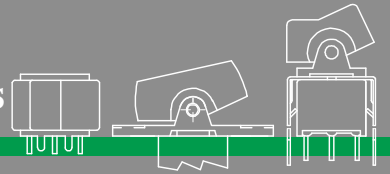
.460
11.68

V3

.630
16.00

P. C. B. Layout





Contact Plating & Ratings

Option code	Contact plating	Terminal plating	Ratings
G	Gold	Gold	0.4 Volt-Amps (VA) max. @ 20V max. (AC or DC)
S	Silver	Silver	5 Amps with resistant load @ 120VAC or 28VDC
A	Gold over silver	Gold over silver	2 Amps with resistant load @ 250VAC

SOLDERING PROCESSES

Manual soldering: Use soldering iron of 30 watts, controlled at 350°C
approximately 5 seconds while applying solder.

Wave soldering: Recommended soldering temperature: 270 ± 5°C.

Duration of solder immersion: Max 5 sec. (PCB is 1.6mm in thickness).

Actuator color

Cap Marking

1	White	<input type="checkbox"/>	Without
2	Black(STD.)	1	
3	Red	2	
4	Orange	5	
5	Yellow	6	
6	Green	7	
7	Blue	8	
8	Brown	9	
9	Gray	F	