

SPECIFICATIONS

CONTACT RATING: Dependent upon contact material. See [Contact Plating & Ratings](#).

MECHANICAL LIFE: 40,000 make-and-break cycles.

CONTACT RESISTANCE: 10mΩ max. initial @ 2-4VDC
100mA for both silver and gold plated contacts.

INSULATION RESISTANCE: 1,000 MΩ min.

DIELECTRIC STRENGTH: 1,000 Vrms min. @sea level.

OPERATING TEMPERATURE: -40°C to 85°C.

MATERIALS

CASE: Diallyl phthalate (DAP) (UL94v-0).

ACTUATOR: Nylon, black std.

BUSHING: Brass or Zinc, nickel plated.

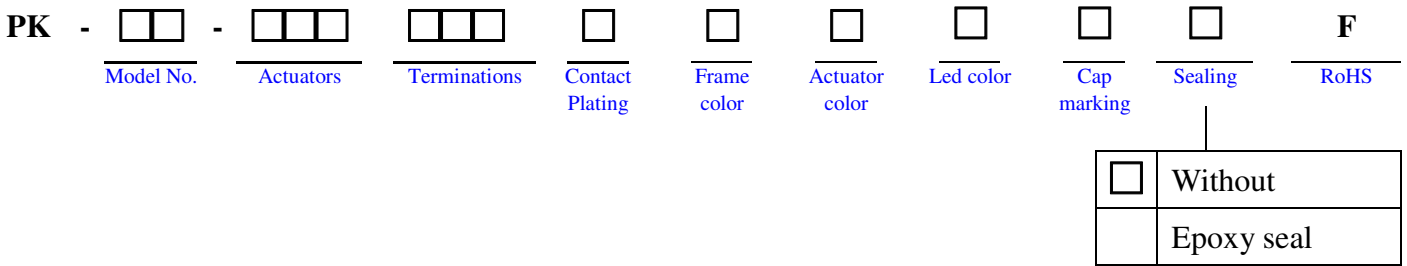
HOUSING: Stainless steel.

SWITCH SUPPORT: Brass, tin plated or stainless steel.

CONTACT / TERMINALS: Copper alloy, with silver or gold plated. See [Contact Plating & Ratings](#).

models available, consult sales representatives.

PART NUMBERING SYSTEM



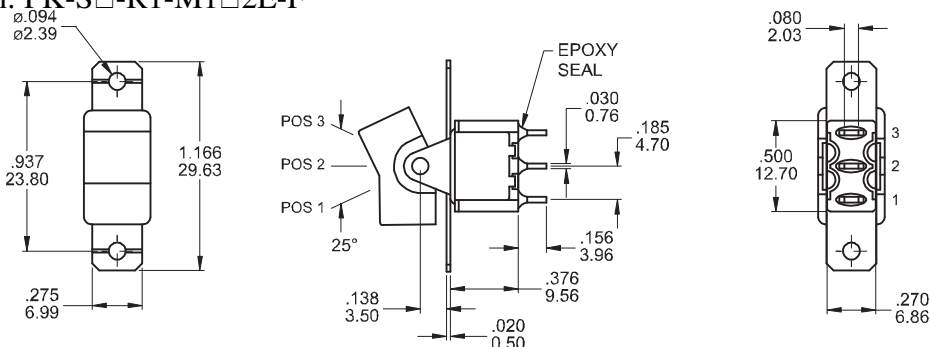
Model No./ Switching function ()= Momentary

Unit: Inch/ mm

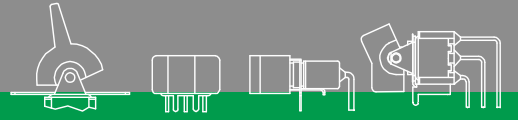
SPDT				SPDT			
Model No.	Switching function			Model No.	Switching function		
S1	On	None	On	S3	On	Off	On
S2	On	None	(On)	S4	(On)	Off	(On)
				S5	On	Off	(On)
Connected terminals	2-3	N/A	2-1	Connected terminals	2-3	Open	2-1
Schematic	2 Comm. 		2 Comm. 	Schematic	2 Comm. 		2 Comm.

Part No. Shown: PK-S -R1-M1 2E-F

SPDT



Miniature Rocker & Paddle Switches – PK series



Model No./ Switching function

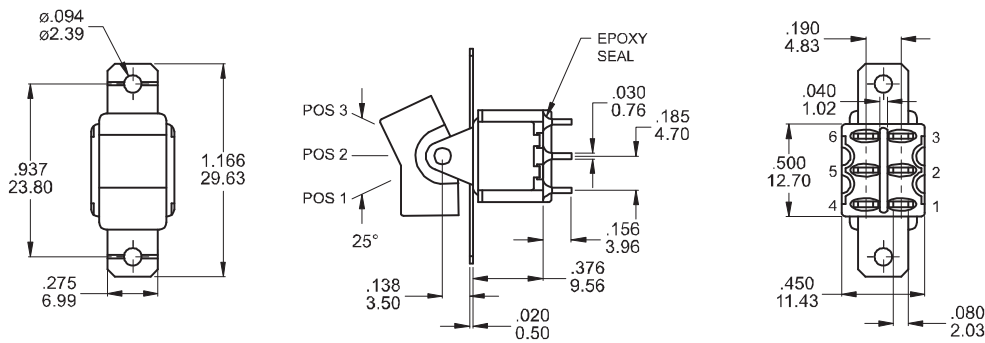
()= Momentary

Unit: Inch/ mm

DPDT			DPDT			DPDT					
Model No.	Switching function			Model No.	Switching function			Model No.	Switching function		
D1	On	None	On	D3	On	Off	On	D6	On	On	On
D2	On	None	(On)	D4	(On)	Off	(On)	D7	(On)	On	(On)
				D5	On	Off	(On)	D8	On	On	(On)
Connected terminals	2-3,5-6	N/A	2-1,5-4	Connected terminals	2-3,5-6	Open	2-1,5-4	Connected terminals	2-3,5-6	2-3,5-4	2-1,5-4
Schematic				Schematic				Schematic for D6			

Part No. Shown: PK-D□-R1-M1□2E-F

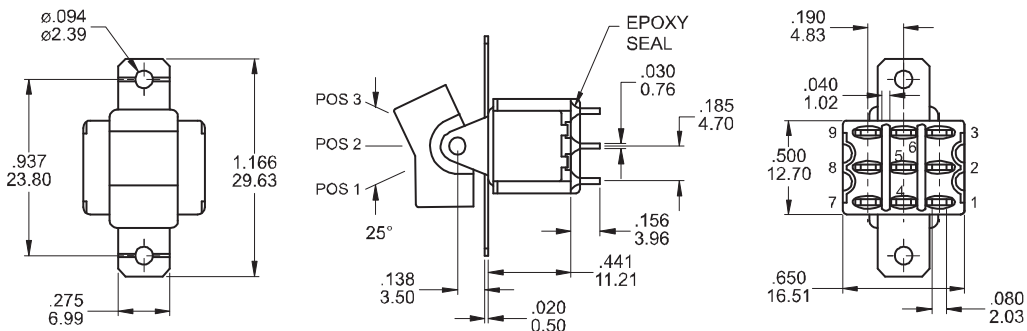
DPDT

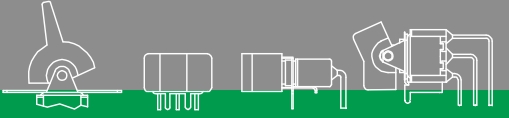


3PDT			3PDT				
Model No.	Switching function			Model No.	Switching function		
E1	On	None	On	E3	On	Off	On
E2	On	None	(On)	E4	(On)	Off	(On)
				E5	On	Off	(On)
Connected terminals	2-3,5-6,8-9	N/A	2-1,5-4,8-7	Connected terminals	2-3,5-6,8-9	Open	2-1,5-4,8-7
Schematic				Schematic			

Part No. Shown: PK-E□-R1-M1□2E-F

3PDT





Model No./ Switching function ()= Momentary

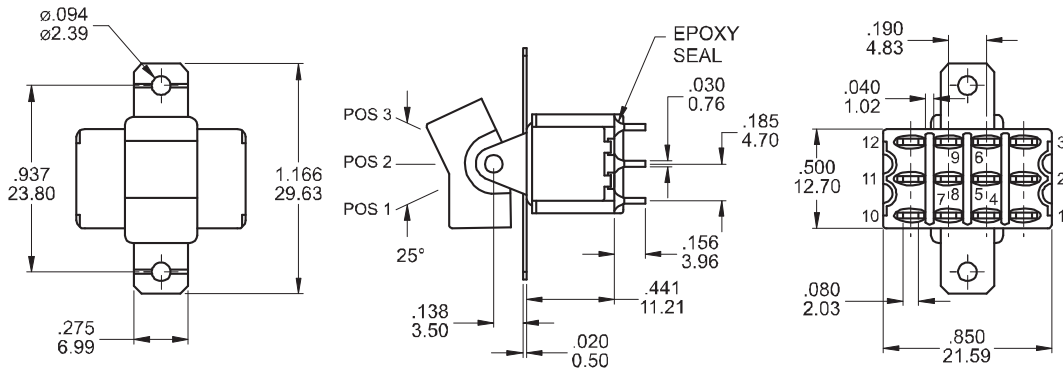
Unit: Inch/ mm

4PDT				4PDT			
Model No.	Switching function			Model No.	Switching function		
F1	On	None	On	F3	On	Off	On
F2	On	None	(On)	F4	(On)	Off	(On)
				F5	On	Off	(On)
Connected terminals	2-3,5-6,8-9,11-12	N/A	2-1,5-4,8-7,11-10	Connected terminals	2-3,5-6,8-9,11-12	Open	2-1,5-4,8-7,11-10
Schematic				Schematic			

4PDT			
Model No.	Switching function		
F6	On	On	On
F7	(On)	On	(On)
F8	On	On	(On)
Connected terminals	2-3,5-6,8-9,11-12	2-3,5-4,8-9,11-10	2-1,5,4,8-7,11-10
Schematic for F6			

Part No. Shown: PK-F□-R1-M1□2E-F

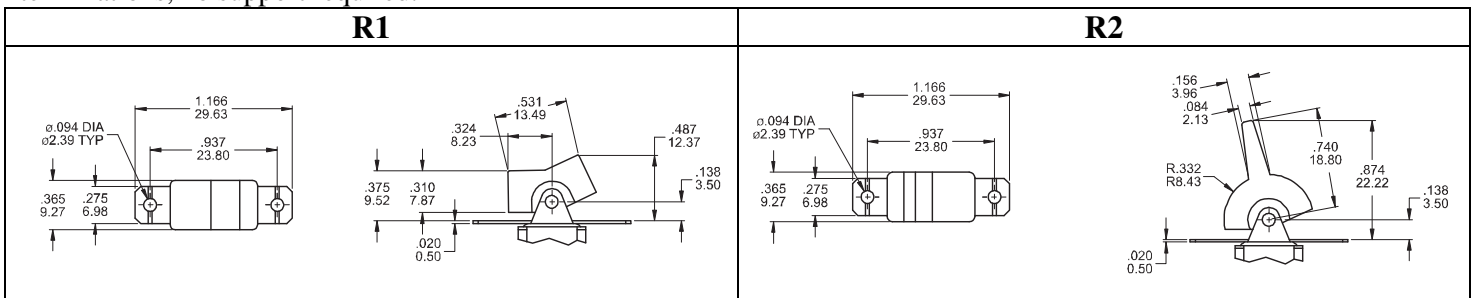
4PDT

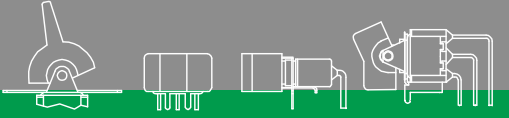


Actuators

Unit: Inch/ mm

R1, R2, R3, R4, R5, R10, R11, R12, R13, R14 actuators with support standard only with M1 termination. For other terminations, no support required.





Actuators

Unit: Inch/ mm

<p align="center">R3</p>	<p align="center">R4</p>
<p align="center">R5</p>	<p align="center">R6</p>
<p align="center">R7</p>	<p align="center">R8</p>
<p align="center">R9</p>	<p align="center">R10</p>
<p align="center">R11</p>	<p align="center">R12</p>
<p align="center">R13</p>	<p align="center">R14</p>



Actuators

Unit: Inch/ mm

R15		R16																	
	<table border="1"> <tr><th colspan="2">Led color</th></tr> <tr><td>3</td><td>Red(Std.)</td></tr> <tr><td>4</td><td>Orange</td></tr> <tr><td>6</td><td>Green</td></tr> </table>	Led color		3	Red(Std.)	4	Orange	6	Green		<table border="1"> <tr><th colspan="2">Led color</th></tr> <tr><td>3</td><td>Red(Std.)</td></tr> <tr><td>4</td><td>Orange</td></tr> <tr><td>6</td><td>Green</td></tr> </table>	Led color		3	Red(Std.)	4	Orange	6	Green
Led color																			
3	Red(Std.)																		
4	Orange																		
6	Green																		
Led color																			
3	Red(Std.)																		
4	Orange																		
6	Green																		

Panel Mounting

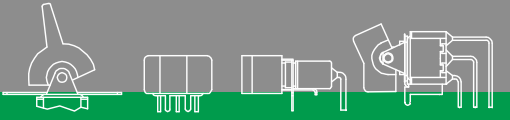
Unit: Inch/ mm

R1, R2 actuators with support	R3, R4 actuators with support	R6, R7, R8, R9 actuators
		<p>For R6 and R7: Increase Dim. “*” to .620/.625(15,75/15,88) for .060/.125 (1,52/3,18) thk. panels.</p> <p>For R8 and R9: Increase Dim. “*” to .620/.625(15,75/15,88) for .091/.125 (2,31/3,18) thk. panels.</p>

Terminations & Sealing

Unit: Inch/ mm

M1-□-□□□ Solder, W/o epoxy seal	M1-□-□□□-E Solder, With epoxy seal	M2-□-□□□ PCB through hole, W/o epoxy seal	M2-□-□□□-E PCB through hole, with epoxy seal										
<p>.030(0.76) THK.</p>	<p>.030(0.76) THK.</p>	<p>.030(0.76) THK.</p>	<p>.030(0.76) THK.</p>										
M3 Quick connect	M5 □ Wire wrap												
<p>.030(0.76) THK.</p>	<p>.030(0.76) THK.</p>	<table border="1"> <tr> <th>Option code</th> <th>Dim. ‘A’</th> </tr> <tr> <td>M51</td> <td>.736(18.70)</td> </tr> <tr> <td>M52</td> <td>.953(24.20)</td> </tr> <tr> <td>M53</td> <td>.415(10.55)</td> </tr> <tr> <td>M54</td> <td>1.062(26.97)</td> </tr> </table>	Option code	Dim. ‘A’	M51	.736(18.70)	M52	.953(24.20)	M53	.415(10.55)	M54	1.062(26.97)	
Option code	Dim. ‘A’												
M51	.736(18.70)												
M52	.953(24.20)												
M53	.415(10.55)												
M54	1.062(26.97)												



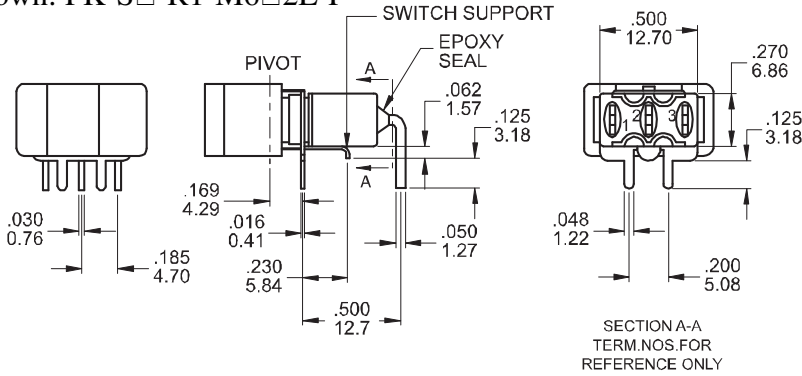
Terminations & Sealing

Unit: Inch/ mm

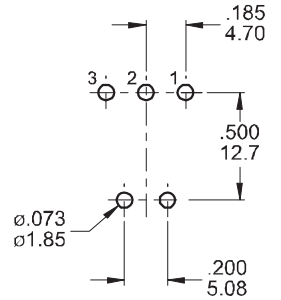
M6 Right angle P.C. Mount

Part No. Shown: PK-S□-R1-M6□2E-F

SPDT



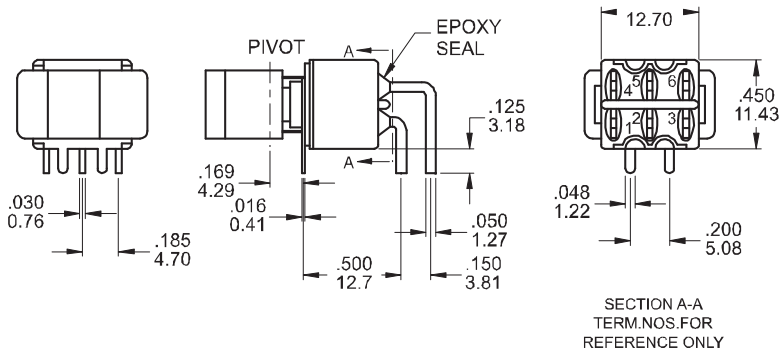
P. C. B. Layout



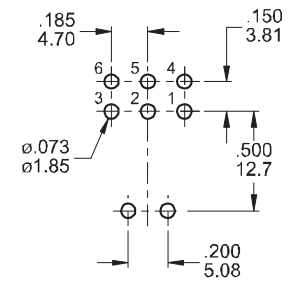
M6 Right angle P.C. Mount

Part No. Shown: PK-D□-R1-M6□2E-F

DPDT



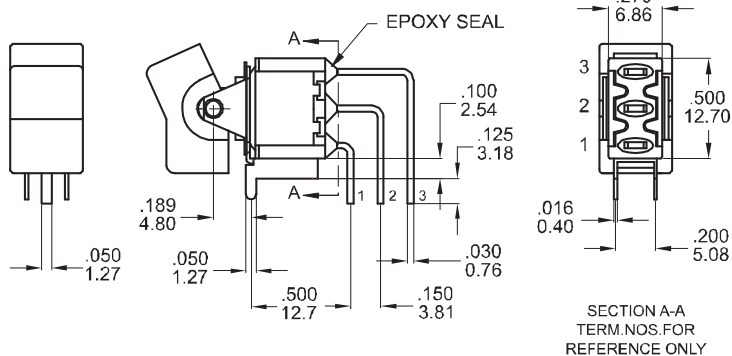
P. C. B. Layout



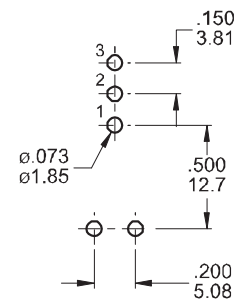
M7 Vertical right angle P.C. Mount

Part No. Shown: PK-S□-R1-M7□2E-F

SPDT

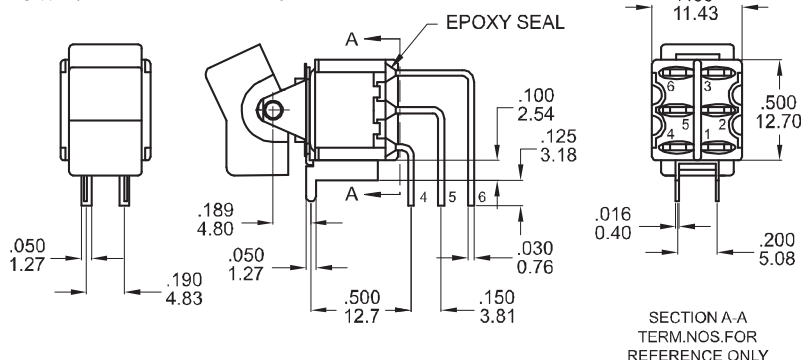


P. C. B. Layout

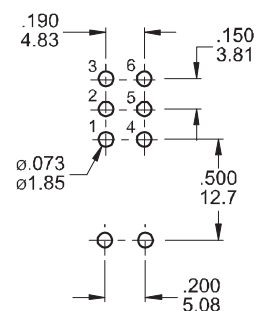


Part No. Shown: PK-D□-R1-M7□2E-F

DPDT



P. C. B. Layout





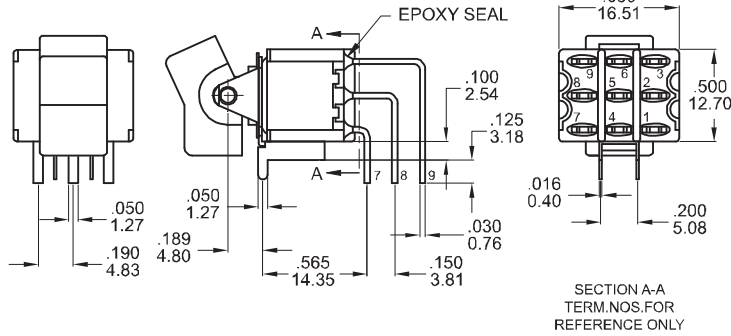
Terminations & Sealing

Unit: Inch/ mm

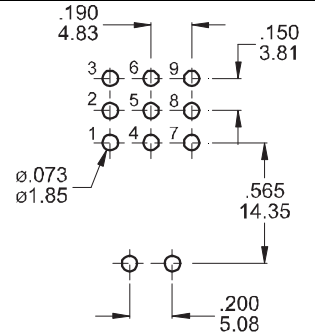
M7 Vertical right angle P.C. Mount

Part No. Shown: PK-E□-R1-M7□2E-F

3PDT

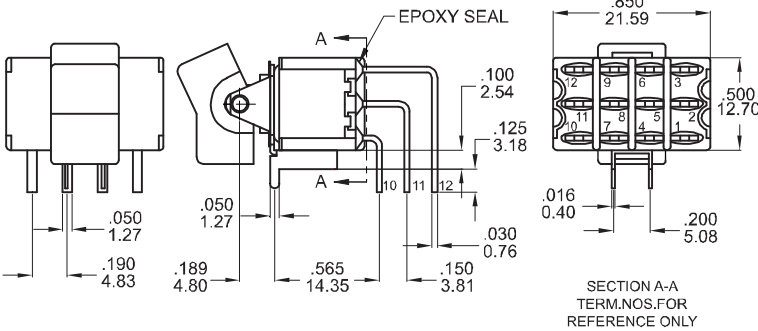


P. C. B. Layout

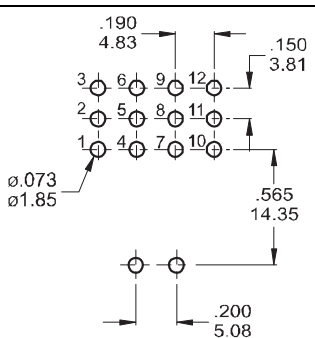


Part No. Shown: PK-F□-R1-M7□2E-F

4PDT



P. C. B. Layout

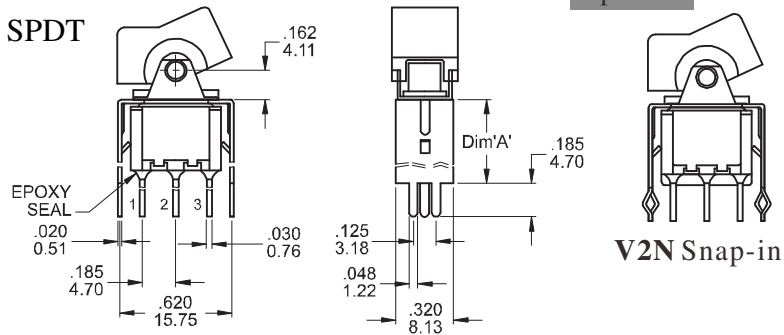


V□□ Vertical bracket P.C. Mount

Part No. Shown: PK-S□-R1-V□□□2E-F

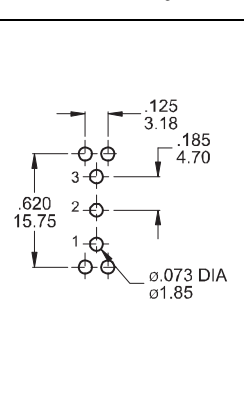
SPDT

Options:



Option Code	Dim. 'A'
V2□	.460 11.68
V3	.630 16.00

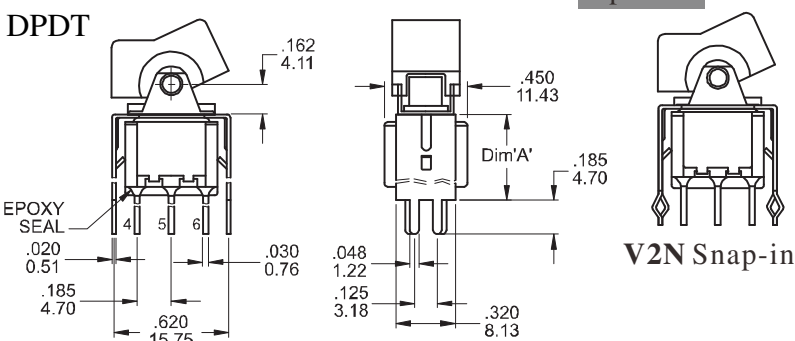
P. C. B. Layout



Part No. Shown: PK-D□-R1-V□□□2E-F

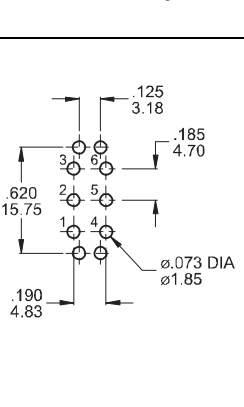
DPDT

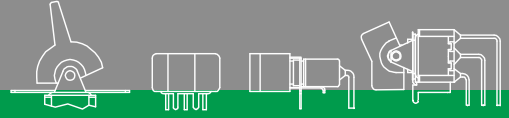
Options:



Option Code	Dim. 'A'
V2□	.460 11.68
V3	.630 16.00

P. C. B. Layout



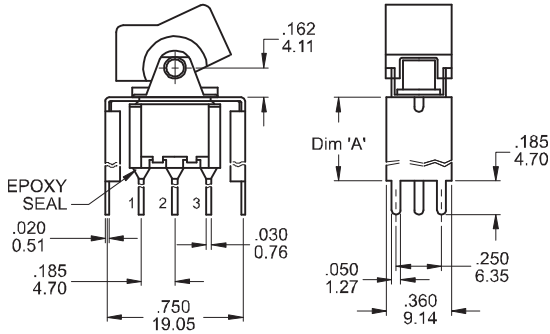


Terminations & Sealing

V Vertical bracket P.C. Mount

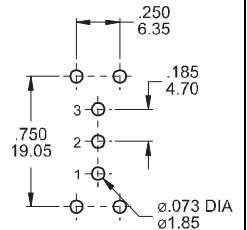
Part No. Shown: PK-S-R1-V-2E-F

SPDT



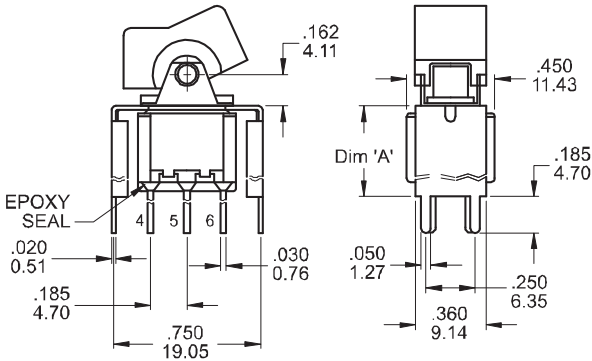
Option Code	Dim. 'A'
V4	.460 11.68
V5	.630 16.00

P. C. B. Layout



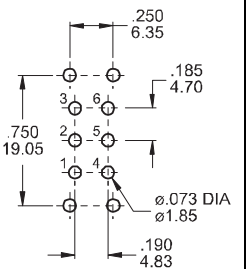
Part No. Shown: PK-D-R1-V-2E-F

DPDT



Option Code	Dim. 'A'
V4	.460 11.68
V5	.630 16.00

P. C. B. Layout



Contact Plating & Ratings

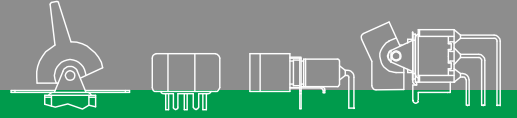
Option code	Contact plating	Terminal plating	Ratings
G	Gold	Gold	0.4 Volt-Amps (VA) max. @ 20V max. (AC or DC)
S	Silver	Silver	5 Amps with resistant load @ 120VAC or 28VDC
A	Gold over silver	Gold over silver	2 Amps with resistant load @ 250VAC

SOLDERING PROCESSES

Manual soldering: Use soldering iron of 30 watts, controlled at 350°C approximately 5 seconds while applying solder.

Wave soldering: Recommended soldering temperature: 270 ± 5°C.

Duration of solder immersion: Max 5 sec. (PCB is 1.6mm in thickness).



Frame color & Actuator color

<input type="checkbox"/>	Without
1	White
2	Black(STD.)
3	Red
4	Orange
5	Yellow
6	Green
7	Blue
8	Brown
9	Gray

Cap Marking

<input type="checkbox"/>	Without
1	
2	
5	
6	
7	
8	
9	
F	