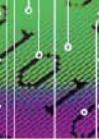


LED Indicator Metal Shell Type **PLI** Series



FEATURES

1. LED light source giving long life and excellent reliability.
2. Metal shell giving elegance and durability also offering reflect, direct and diffuse type be select.
3. Special structure offering high dielectric strength, perfect appearance and better anti-oxygenate rust resistance.
4. Special structure offering stronger structure. Strength between body and base is increase.

APPLICATIONS

Automatic machines, automatic control, security system, packing machines food machines, processing machines, machine center, spot welding machines, electric toys, household appliances (example: drinking fountain, drying apparatus, electric rice cooker, coffee maker, oven, thermos, tea maker, medicines maker, humidifier...etc.).

SPECIFICATIONS

1. Temperature range:
Operating: -25°C to +70°C
Storage: -40°C to +85°C
2. Vibration: Per MIL-STD-202F, Method 204D
3. Solderability: After flux 230±5°C for 5±0.5 seconds, 95% coverage
4. Soldering heat resistance: 183°C soldering tin (63Sn/37Pb), Soldering iron under 30W with 5 seconds.

PART NUMBERING SYSTEM

{1}	PLI	—	{2}		{3}		{4}		{5}	
{1}	Series name: PLI: LED Indicator									
{2}	Model: 06: ø8 08: ø10									
{3}	Type: 1: Reflect type 3: Diffuse type									
{4}	Color: 0: Hi-Eff red 4: Yellow 5: Green									
{5}	Options: 00: Standard, 01 to 99: Special 02: With barrier									

ELECTRICAL AND RADIANT CHARACTERISTICS(Ta=25°C)

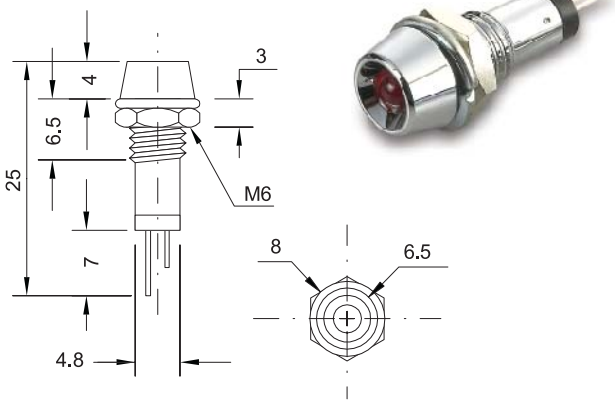
Part number of product	Diameter of LED	Chip		Lens appearance	Absolute maximum ratings				Electro-optical data (at 20mA)			Viewing angle 2θ 1/2(deg)
		Emitted color	Peak wave length λ p(nm)		Δλ (nm)	Pd (mw)	If (mA)	Peak If (mA)	Vf(V)		Iv Typ. (mcd)	
									Typ.	Max.		
PLI-06 □ 0**	ø3	Hi-red	640	Red diffused	30		25	120	2	2.4	7	54
PLI-08 □ 0**	ø5	Hi-red	700	Red diffused	45	80	30	50	2.1	2.6	3	50
PLI-06 □ 4**	ø3	Yellow	585	Yellow diffused	35		25	80	2.1	2.5	5	54
PLI-08 □ 4**	ø5	Yellow	590	Yellow diffused	32	80	30	50	2.1	2.6	120	50
PLI-06 □ 5**	ø3	Green	565	Green diffused	30		25	120	2.2	2.5	5	54
PLI-08 □ 5**	ø5	Green	568	Green diffused	30	80	30	50	2.1	2.6	150	50

LED Indicator Metal Shell Type **PLI** Series

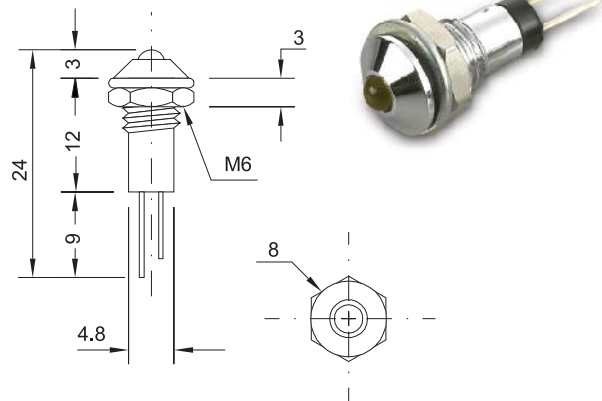
PLI Series

DIMENSIONS (Unit:mm)

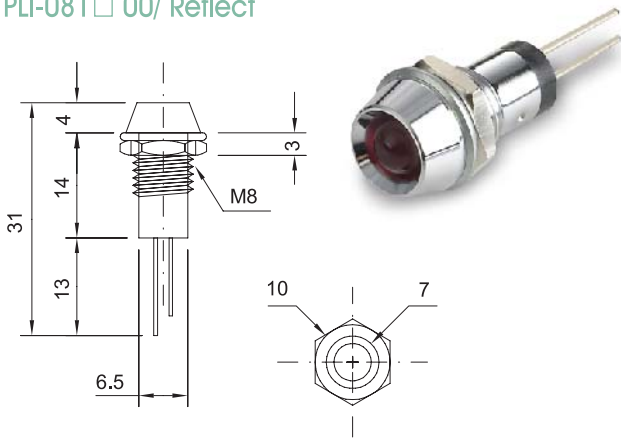
PLI-061□ 00/ Reflect



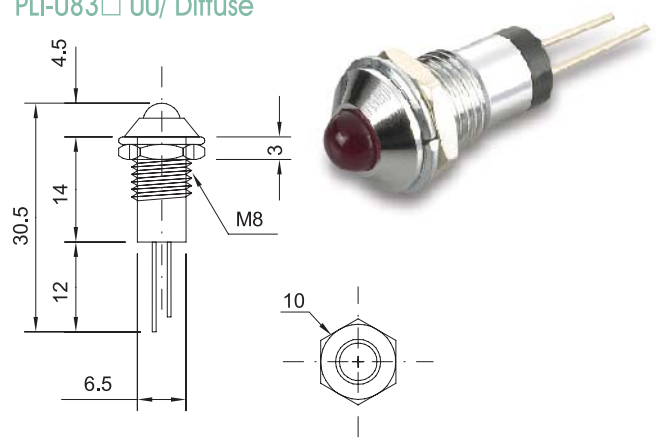
PLI-063□ 00/ Diffuse



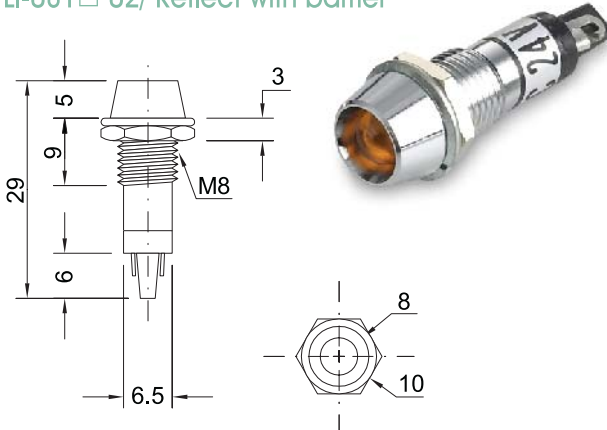
PLI-081□ 00/ Reflect



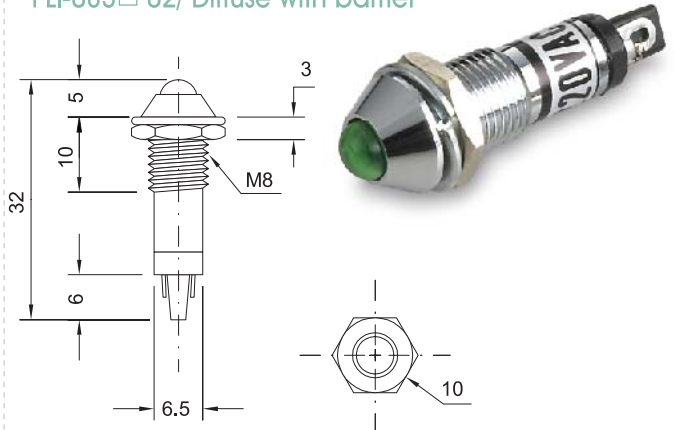
PLI-083□ 00/ Diffuse



PLI-081□ 02/ Reflect with barrier

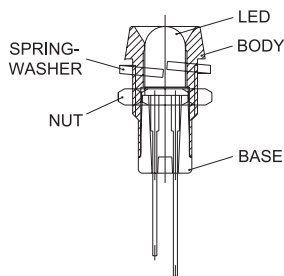


PLI-083□ 02/ Diffuse with barrier



CONSTRUCTION

Reflect



Diffuse

