

## MICRO SWITCH EJM SERIES

### FEATURES

- Small compact size suitable for personal computer mouse use
- 2-piece spring mechanism design offering durable acute operation and nice touch feeling
- Heavy/Light operation force specifications
- High flux-tight structure
- High solder reliability



### APPLICATIONS

- Communication equipment
- Security systems
- Office automation appliances
- General industrial machines

### SPECIFICATIONS

Ratings	6 VDC, 1mA(R)
Circuit arrangement	SPST(1a), snap action
Pitch between terminals	5.08mm

### ELECTRICAL PERFORMANCE

Insulation resistance	100M Min. at 500VDC
Dielectric strength	600VAC Min. for 60sec
Initial contact resistance	100m Max.

### MECHANICAL PERFORMANCE

Operating Force	0.74N (75gf) Max.
Release Force	0.10N (10gf) Min.
Pre-travel	0.3±0.2mm
Operating Position	6.9±0.3mm
Free Position	7.35mm Max.

### DURABILITY

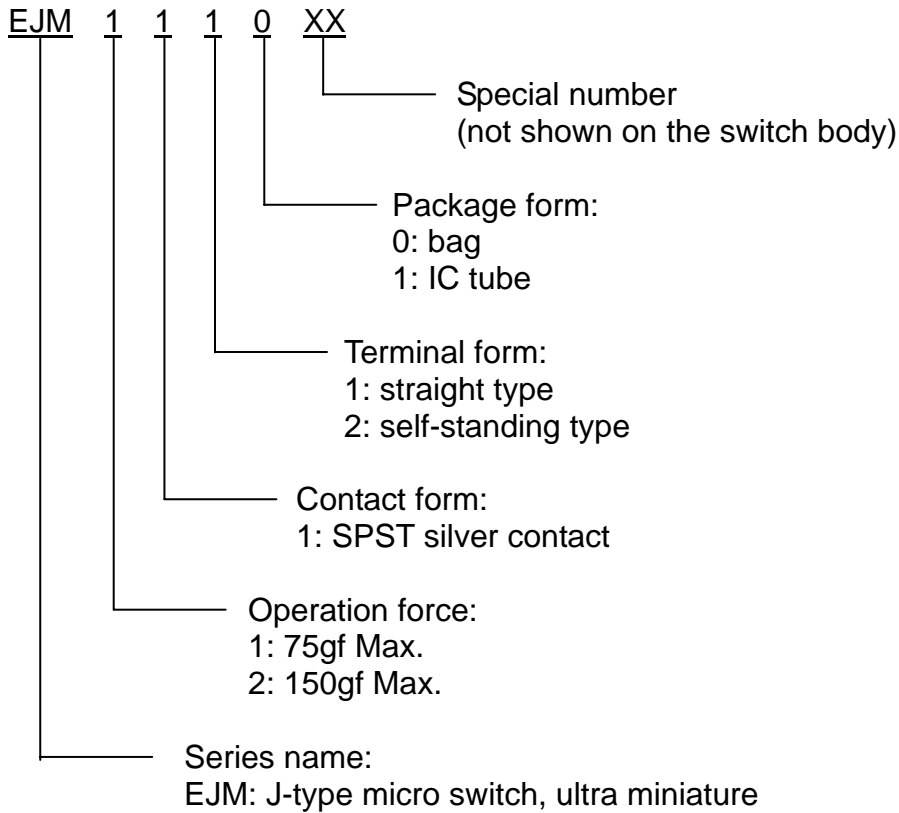
Operating life with load	5 million cycles
--------------------------	------------------

### ENVIRONMENTAL

Operating temperature	-25 ~ +65 (85%RH Max. without dew condensation)
Storage temperature	-25 ~ +65 (85%RH Max. without dew condensation)

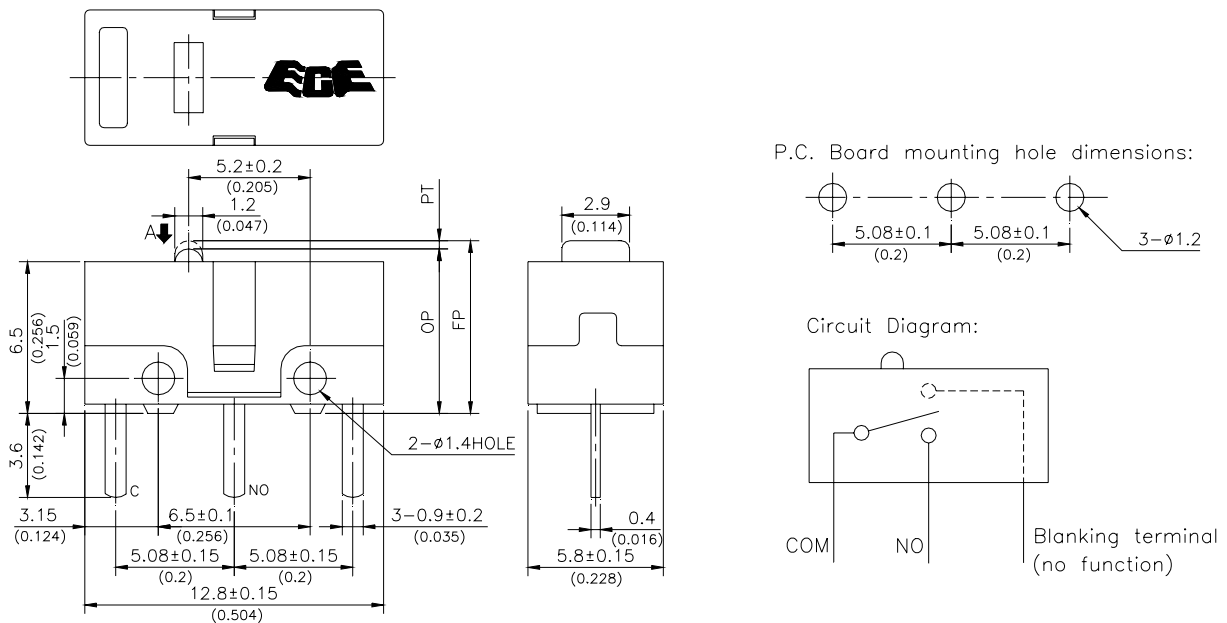
\*Designs and specifications are subject to change for improvement without prior notice.

### PART NUMBERING SYSTEM



### EJM SERIES

DIMENSIONS UNIT: mm(inch)



\* Designs and specifications are subject to change for improvement without prior notice.