



USB CONNECTOR & CABLE ESB 0 SERIES (CONNECTOR)

FEATURES

- Both USB A Type and B Type are USB 2.0 approval.
- Raised design provides easy insertion and withdrawal, and guarantee even high reliability.
- Design of three certain restraints provides robust structure.
- Gold plated contact to ensure low contact resistance.
- All materials are UL 94V-0 grade fire retardant.
- Up to 5 meters per cable segment.
- To make sure your connections are perfect every time.

APPLICATIONS

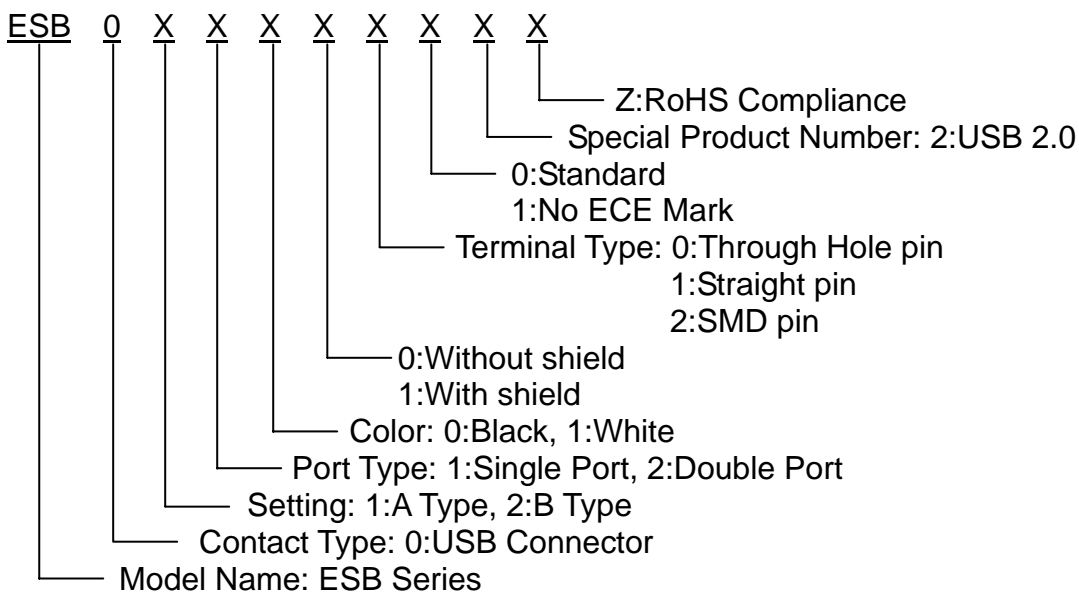
- PCs peripheral equipment (modem, scanner, HDTV, printer, phone/answering, keyboard, mouse, game controller, digital audio)

SPECIFICATIONS

ELECTRICAL	
Voltage rating	30 VAC (rms)
Current rating	1 Amp
Contact resistance	30 m Max.
Insulation resistance	1000 M Min.
Dielectric strength	750 VAC Min.


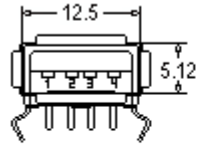
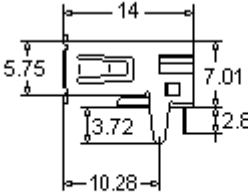
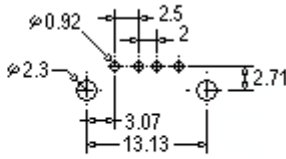

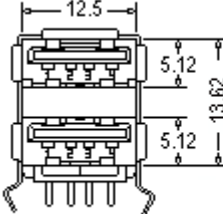
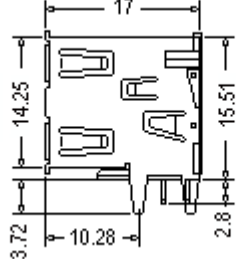
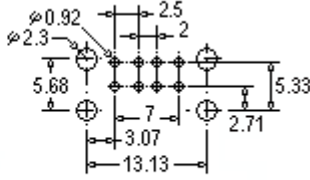

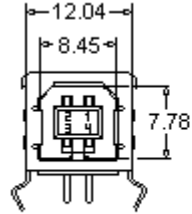
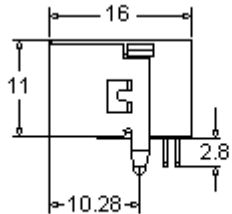
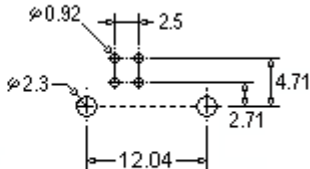
MECHANICAL	
Durability	1500 cycles
Mating force	35N Max.
Unmating force	10N Min.
Temperature	storage -40 to + 60
	operating 0 to + 40

PART NUMBERING SYSTEM


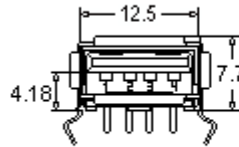
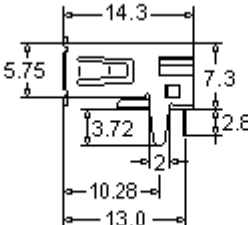
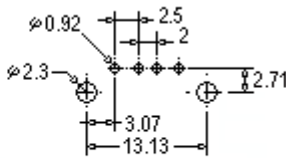



DIMENSIONS (UNIT:mm)

◆ RIGHT ANGLE TYPE

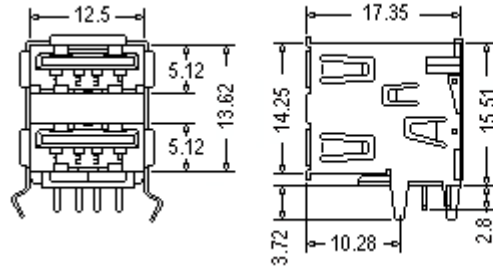
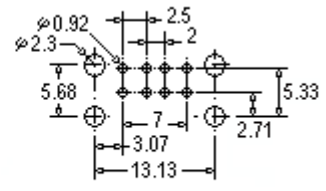
 <p>A TYPE Single port ESB 011</p>			 <p>P.C.B. Layout</p>
 <p>A TYPE Double port ESB 012</p>			 <p>P.C.B. Layout</p>
 <p>B TYPE ESB 021</p>			 <p>P.C.B. Layout</p>

◆ RIGHT ANGLE TYPE/WITH SHIELD


 <p>A TYPE Single port ESB 011x1</p>			 <p>P.C.B. Layout</p>
---	---	--	--



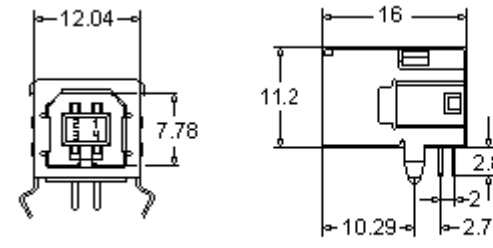
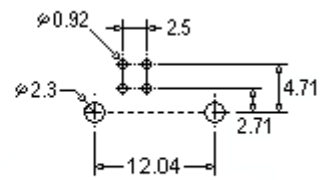
**A TYPE Double port
ESB 012x1**

P.C.B. Layout




**B TYPE
ESB 021x1**

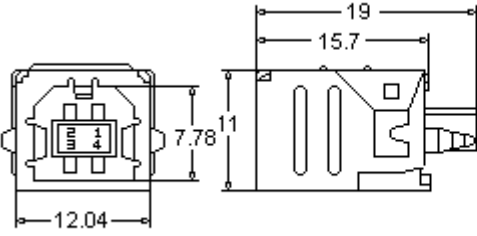
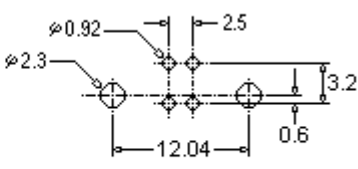



P.C.B. Layout


◆ STRAIGHT PIN TYPE



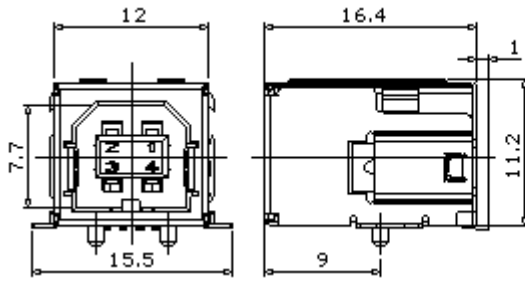
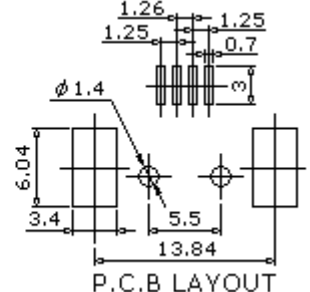
**B TYPE
ESB 021x01**

◆ SMD TYPE



**B TYPE
ESB 021x12xx**

P.C.B. LAYOUT