

## MINI USB CONNECTOR & CABLE ESB 4,5 SERIES (CABLE)

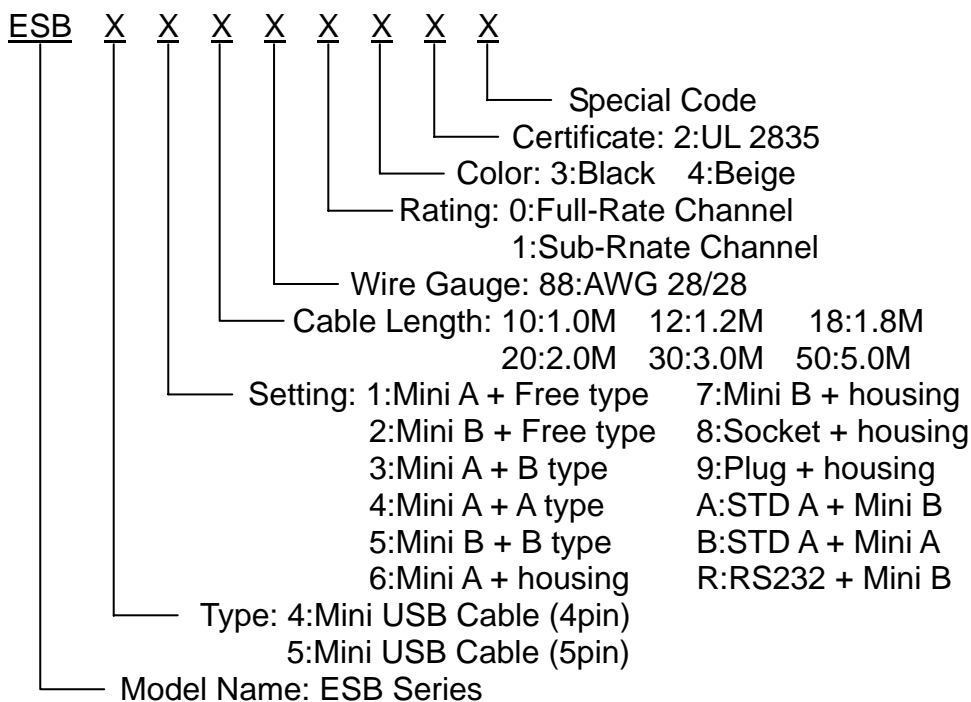
### FEATURES

- Ultra-small size achieved universal series bus connector and cable.
- Both 4Pin type and 5Pin (One ID pin) type are 0.8mm pitch.
- 5Pin type connector and cables are USB 2.0 specifications.
- Receptacle and plug housing are UL 94V-0 grade fire retardant.
- Gold plated contact ensure low contact resistance.
- To make sure your connections are perfect every time.
- EMI protection by shielding features.

### APPLICATIONS

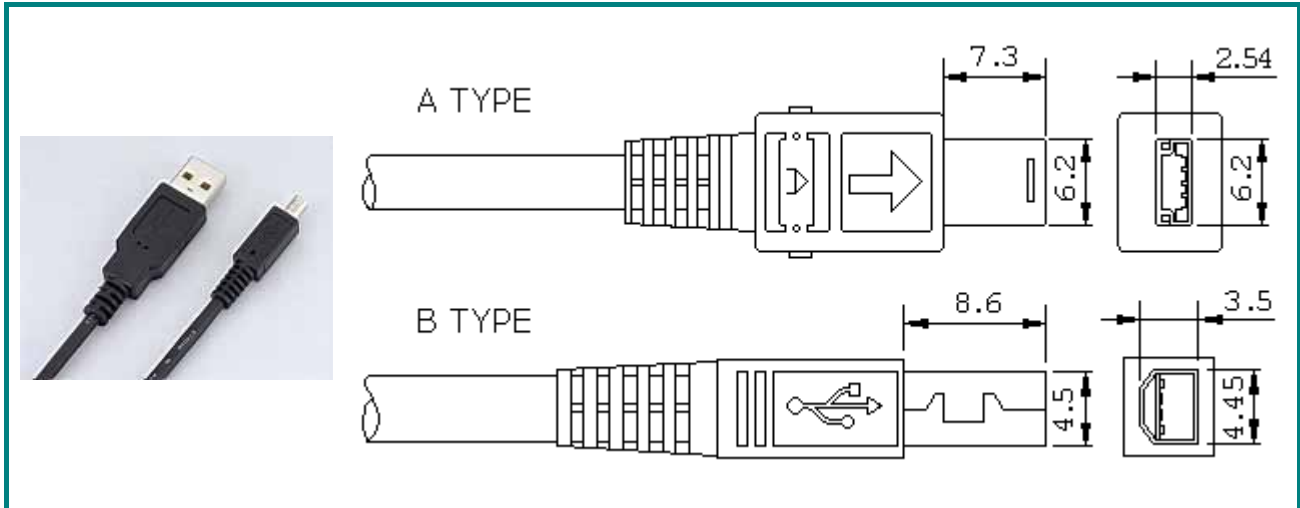
- Ideal for connecting portable PCs as slim notebook PCs and handheld PCs to small, slim peripheral equipment (digital cameras, small mouse, PDA, MP3, Hub etc.).

### PART NUMBERING SYSTEM



**DIMENSIONS (UNIT:mm)**

◆ MINI USB A & B TYPE CABLE (4PIN)



◆ MINI USB B&C TYPE CABLE (5PIN)

