

LED Indicator Metal Shell Type **PLI** Series

FEATURES

1. LED light source giving long life and excellent reliability.
2. Metal shell giving elegance and durability also offering reflect, direct and diffuse type be select.
3. Special structure offering high dielectric strength, perfect appearance and better anti-oxigenate rust resistance.
4. Special structure offering stronger structure. Strength between body and base is increase.
5. Only UL94V-0 grade fire plastics be used.

APPLICATIONS

Automatic machines, automatic control, security system, packing machines food machines, processing machines, machine center, spot welding machines, electric toys, household appliances (example: drinking fountain, drying apparatus, electric rice cooker, coffee maker, oven, thermos, tea maker, medicines maker, humidifier...etc.).

SPECIFICATIONS

ELECTRICAL

1. Insulation resistance: 100MΩ Min. at 100VDC
2. Dielectric strength:
 - 06 model: 300VDC or 220VAC Min. for 1 minute
 - 08 model: 1500VDC or 1000VAC Min. for 1 minute

MECHANICAL AND ENVIRONMENTAL

1. Temperature range:
 - Operating: -25°C to +70°C
 - Storage: -40°C to +85°C
2. Pull force:
 - Between terminal and base: 1 kgf for 1 minute
 - Between base and body: 2 kgf for 1 minute
3. Vibration: Per MIL-STD-202F, Method 204D
6. Solderability: After flux 230±5°C for 5±0.5 seconds, 95% coverage
7. Soldering heat resistance: 183°C soldering tin (63Sn/37Pb), Soldering iron under 30W with 5 seconds.

ELECTRICAL AND RADIANT CHARACTERISTICS(Ta=25°C)

Part number of product	Part number of LED	Dimension of LED	Chip		Lens appearance	Absolute maximum ratings				Electro-optical data (at 20mA)		Viewing angle 2θ 1/2(deg)	
			Emitted color	Peak wave length λ p(nm)		Δλ (nm)	Pd (nw)	If (mA)	Peak If (mA)	Vf(V)			Iv Typ. (mcd)
										Typ.	Max.		
PLI-06□0□□	006003	ø3	Hi-eff red	635	Red diffused	45	100	30	150	2.0	2.6	40.0	40
PLI-08□0□□	006009	ø5										50.0	55
PLI-06□4□□	006005	ø3	Yellow	585	Yellow diffused	35	100	30	150	2.1	2.6	30.0	40
PLI-08□4□□	006011	ø5										40.0	55
PLI-06□5□□	006004	ø3	Green	568	Green diffused	30	100	30	150	2.2	2.6	40.0	40
PLI-08□5□□	006010	ø5										50.0	55

PART NUMBERING SYSTEM

{1} PLI	{2} □□	{3} □	{4} □	{5} □□
{1} Series name: PLI: LED Indicator				
{2} Model: 06: ø8 08: ø10				
{3} Type: 1: Reflect type 2: Direct type 3: Diffuse type				
{4} Color: 0: Hi-Eff red 4: Yellow 5: Green				
{5} Options: 00: Standard, 01 to 99: Special				

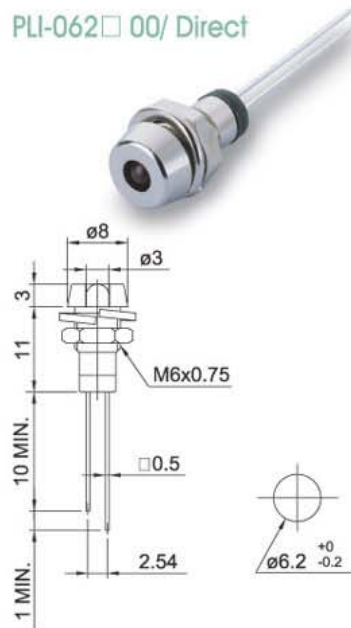
LED Indicator Metal Shell Type **PLI Series**

DIMENSIONS (Unit:mm)

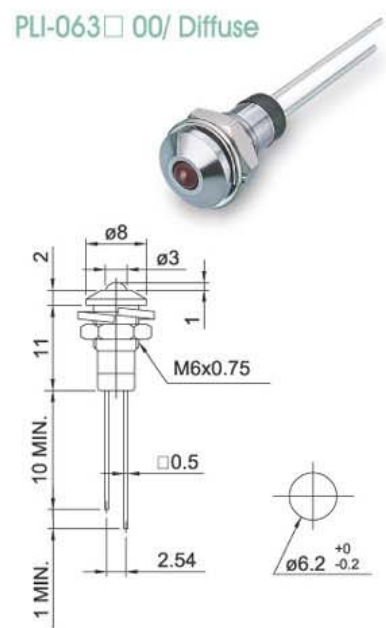
PLI-061□00/ Reflect



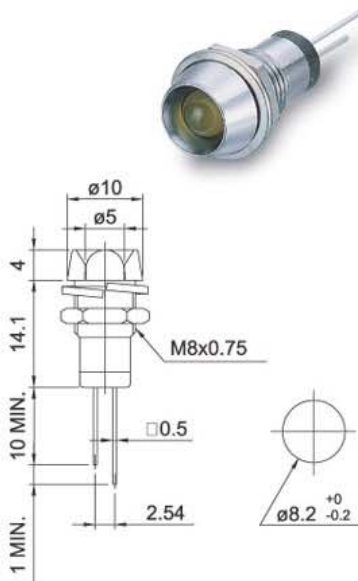
PLI-062□00/ Direct



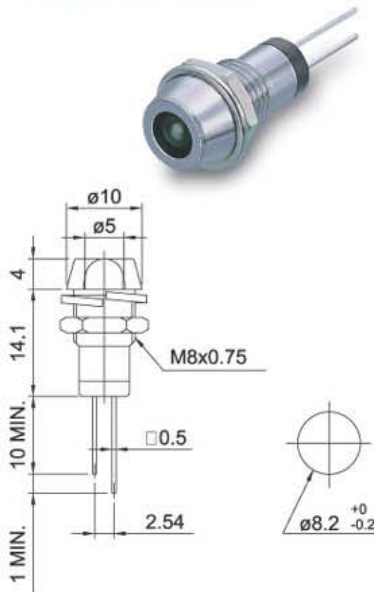
PLI-063□00/ Diffuse



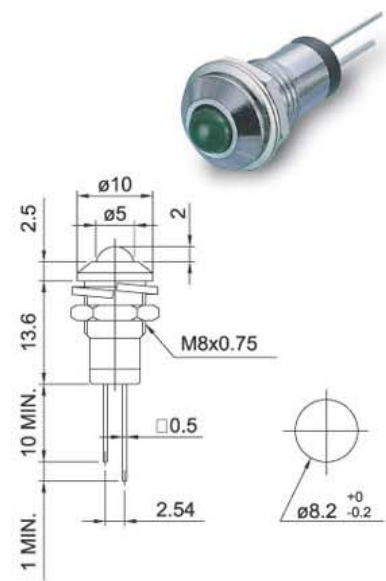
PLI-081□00/ Reflect



PLI-082□00/ Direct

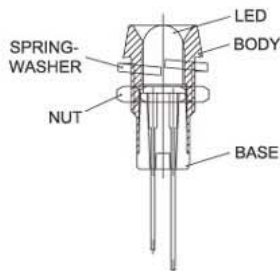


PLI-083□00/ Diffuse

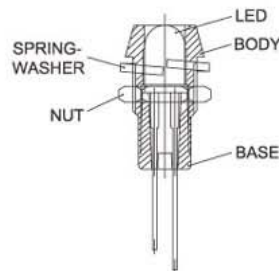


CONSTRUCTION

Reflect



Direct



Diffuse

